

OPTICAL BLOCKS

Optical Components for Optical Measurement



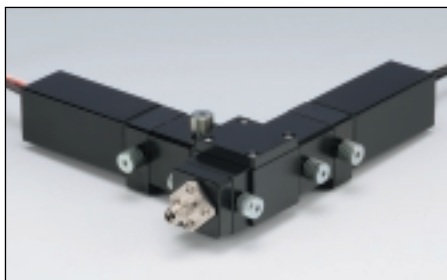
OVERVIEW

The optical blocks are compact units that contain components such as bandpass filters and dichroic mirrors. They are designed for low-light-level measurements that use PMT modules and high-sensitivity cameras. Because their optical components are placed precisely through the use of high-precision machining, the blocks shield light superbly. Also, you can use the separate blocks in different combinations by removing and attaching them with thumbscrews.

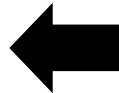
FEATURES

- Easy to Attach / Detach
- No Alignment Required
- Superb Light-shielding Effect
- Makes Low-Light-Level Measurement Easy

COMPARISON WITH BASIC OPTICAL DEVICES



Integration



Mechanics Holder Stage	Light shield Darkroom environment
Optics Filter Mirror Lens	Detector PMT Photodiode Camera

LINE UP
















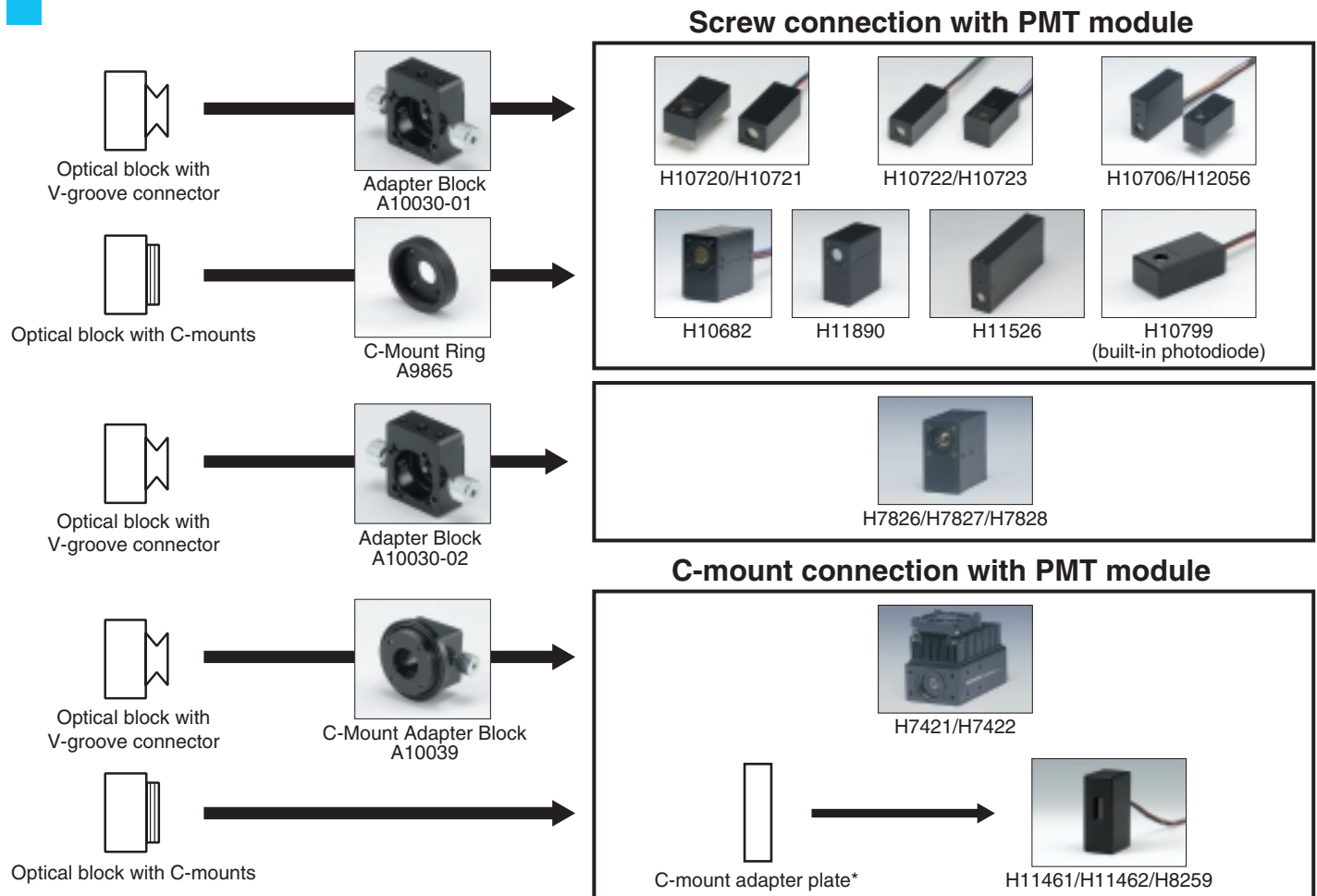
Photo	Product Name / Type No.	Over View	Page
	Adapter Block A10030 Series	The A10030 series is an adapter block for connecting a PMT module to a V-groove type optical block.	4
	C-Mount Adapter Block A10039	This block connects a device having C-mount to V-groove type optical blocks. The connection angle for the device and block is adjustable.	4
	Fiber Adapter Block A10037 Series	Optical fiber cables with FC or SMA connectors can be connected to the blocks in the A10037 series. The lens assembled in the block collimates the light spread from the optical fiber.	5
	Beam Expander Block A10031	This optical block widens the diameter of a collimated beam of light to 2.5 times its original size or narrows the diameter to 1/2.5 times its original size.	5
	Joint Block A10038 Series	The A10038 series is a joint block for connecting one optical block to another. The joint is available in two types: MM (male-male) type and FF (female-female) type.	6
	Cuvette Holder Block A11971	This holder block is a small dark box specifically designed for cuvettes with an optical path length of 10 mm, and allows easy measurement of samples in combination with various optical blocks.	6
	Shutter Block A10036	The A10036 is a manual shutter block with a plate that is opened and closed by sliding it left and right. Light is sufficiently blocked so there will be no problem even at photon counting levels.	7
	ND Filter Block A10032 Series	A neutral density (ND) filter is included in this optical block to attenuate light levels.	7
	Filter Block A10033 Series	This optical block contains a filter that passes only particular wavelengths. Bandpass filters and long-pass filters are available.	8
	Interchangeable Filter Block A10033-90	The A10033-90 is a holder block for assembling a commercially available 15 mm diameter filter.	9
	Dichroic Block A10034 Series	This block contains a dichroic mirror that reflects particular wavelengths but passes other wavelengths. A total of six products are available.	10
	Beam Splitter Block A10035	This optical block uses a cubic type half-mirror. Incident light is split into reflected and transmitted beams at a ratio of 1 to 1.	11
	Beam Splitter Holder Block A10035-90	The A10035-90 is a holder block designed to hold a 15 mm cubic type beam splitter.	11
	Stage Block A10858	This is a dark box equipped with 2 micrometers for positionings. It allows light measurements even under room lighting by externally connecting various types of optical blocks.	12, 13
	Beam Aligner Block A10760	This optical block is for using an infinity-corrected objective lens to guide laser light into an optical fiber with an attached FC connector or to collimate and transmit the beam from a fiber-optic cable.	14
	Tube Lens Block A10859 Series	This block contains a focusing lens with a focal distance of 100 mm and is used for an infinity-corrected objective lens. Aberration is reduced due to the use of an achromatic lens.	15
	Pinhole Holder Block A11027	This is a feed screw type holder block that can hold a commercially available, mount type pinhole and adjust its position in the XY direction. Light passing through the pinhole is collimated by the lens installed in the block and is output.	16
	C-Mount Interchangeable Filter Block A11213 Series	The A11213 series is a C-mount connection block for installing a commercially available 25 mm diameter filter or lens. This block allows angle adjustment and so is useful as a spacer or adapter that connects between C-mounts.	17

Photo	Product Name / Type No.	Over View	Page
	C-Mount Ring A9865	This ring is for connecting a PMT module to a optical block and an equipment with C-mount.	17
	C-Mount Interchangeable Dichroic Block A11214	The A11214 is a C-mount connection block for installing a dichroic mirror for use at a 45° angle of incidence.	18
	Polarizer Holder Block A11026	This is a holder block designed for a polarizer. Polarizing filters and waveplates are polarizing elements whose polarization characteristics change depending on direction and angle.	19
	Parts Set A10455-02	This maintenance kit includes a set of screws and O-rings needed to assemble optical blocks.	19

CONNECTION EXAMPLES

	Page
●Connection Example Using Bifurcated Optical Fiber	20
●Connection Example Using the Beam Expander Block	20
●Connecting to a Microscope	20
●Fluorescence Detection (Confocal)	21
●Connection Example Using an Objective Lens and the Tube Lens Block	21
●Imaging System Connection Example	22
●Emission Detection	23
●Example of Connection to a Mini-Spectrometer	23
●Simultaneous Measurement with a PMT Module and an Imaging Camera	24
●Fluorescence Dye and Connecting Examples	25

COMPATIBLE PMT MODULE



* In preparation for use with optical blocks, a C-mount adapter plate must be attached to the PMT module. Please notify us of your need for this adapter when ordering.

BLOCK CHARACTERISTICS

●Adapter Block A10030-01, -02



NOTE: Avoid frequently attaching and detaching from PMT module.

COMPATIBLE PMT MODULES

A10030-01	H10720/H10721/H10722/H10723/H11706
	H12056/H10682/H11890/H11526
	H10799 (built-in photodiode)
A10030-02	H7826/H7827/H7828

The A10030-01 is an adapter block for connecting a PMT module to each block. The A10030-01 adapter block has M4 and M3 screw holes for securing to an optical bench or optical stage. A mini-post can also be attached to the M4 screw holes.

Applicable mini-post: OptoSigma Model 155-0XXX

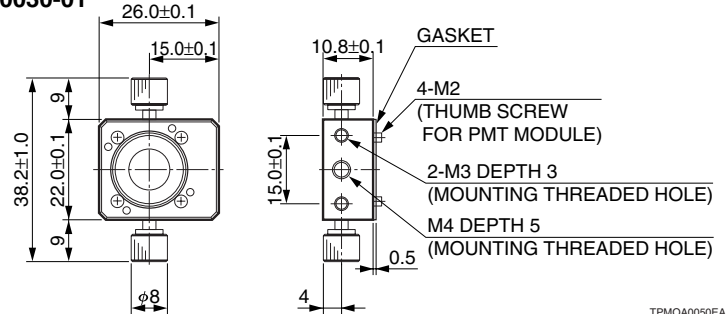
SPECIFICATIONS

Type No.	Effective Beam Size	Weight
A10030-01	$\phi 8$ mm	Approx. 18 g
A10030-02	$\phi 12$ mm*	

* When connected to other optical blocks, their effective optical path diameters take precedence.

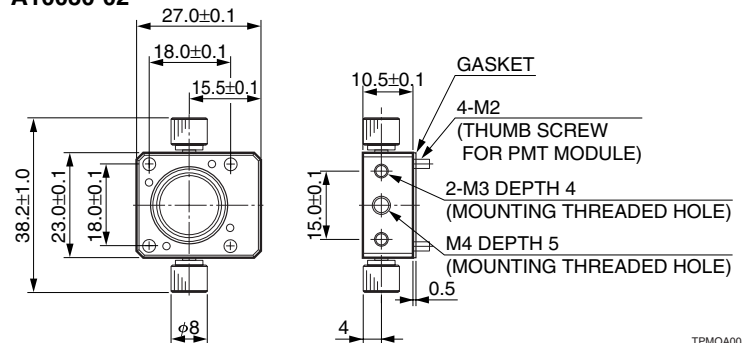
Dimensional Outlines (Unit: mm)

A10030-01



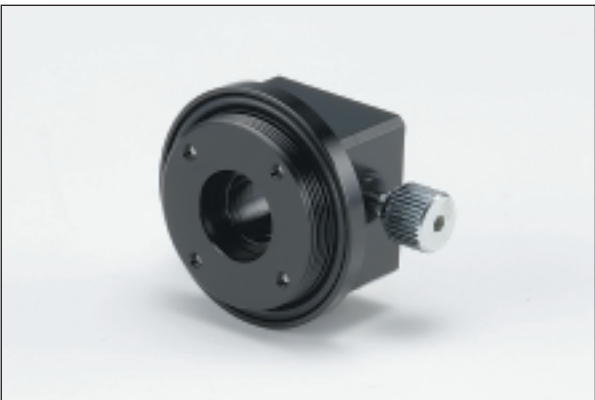
TPMOA0050EA

A10030-02



TPMOA0085EA

●C-Mount Adapter Block A10039



One end of this adapter block has a C-mount (male threads) that connects to the H7421 series or H7422 series PMT module, while the other end couples to another optical block. This adapter block also connects to a commercially available device with a C-mount.

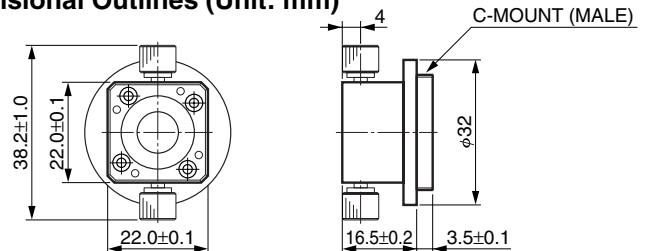
This adapter block can also be connected to commercially sold C-mount products.

SPECIFICATIONS

Type No.	Effective Beam Size	Weight
A10039	$\phi 8$ mm	Approx. 27 g

* Supplied: C-mount double female thread ring.

Dimensional Outlines (Unit: mm)



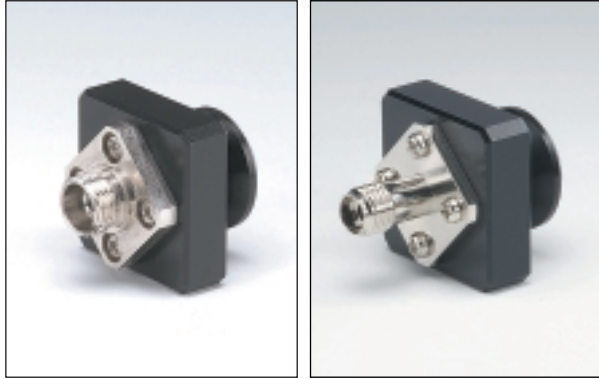
TACCA0287EA

How to connect a C-mount adapter block



1. Loosen the four screws on the adapter block and make sure the C-mount ring is separated about 1 mm from the adapter block body.
2. Insert the C-mount ring into the C-mount of the PMT module and turn the adapter block body clockwise until it stops.
3. Turn the adapter block body counterclockwise so that it is positioned at the desired angle and then tighten the four screws.

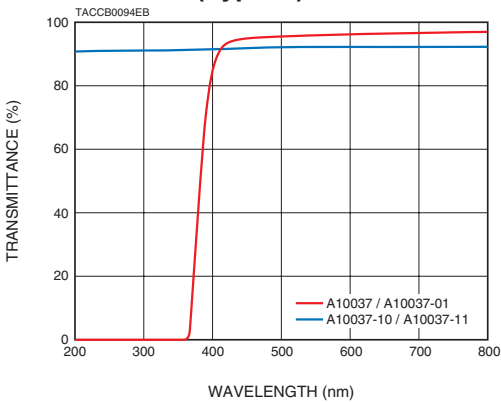
●Fiber Adapter Block A10037 Series



▲A10037

▲A10037-01

Transmittance (Typical)



Optical fiber cables with FC or SMA connectors can be connected to the blocks in the A10037 series.

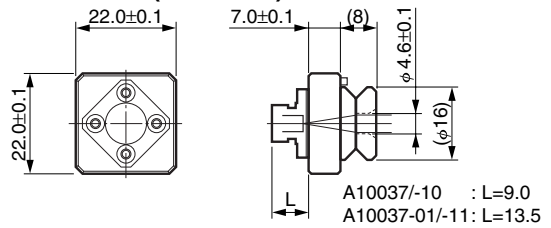
The lens assembled in the block collimates the light spread from the optical fiber.

The A10037/A10037-01 is suitable for use in the visible region (400 nm to 700 nm) and the A10037-10/A10037-11 for use in the UV region (200 nm to 400 nm).

SPECIFICATIONS

Type No.	Recommended Wavelength	Connector	Focal Length	Weight
A10037	Visible	FC	10 mm	Approx. 17 g
A10037-01		SMA		
A10037-10	UV	FC		
A10037-11		SMA		

Dimensional Outlines (Unit: mm)



When fiber core diameter is 100 μm and NA is 0.2

Distance from Fiber Output End	Beam Diameter
100 mm	Max. 4.9 mm
150 mm	Max. 5.4 mm

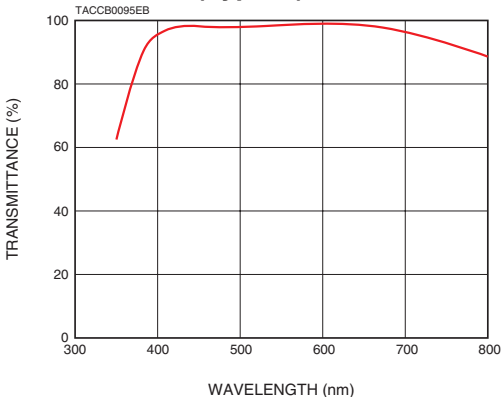
* In the case of the SMA connector type, the beam diameter depends on the position of the connected fiber cable end. The above values are measured when the fiber cable end is at the same position as the FC connector type.

TACCA0270EB

●Beam Expander Block A10031



Transmittance (Typical)



This optical block widens the diameter of a collimated beam of light to 2.5 times its original size or narrows the diameter to 1/2.5 times its original size. This block has a C-mount thread for connecting to another device.

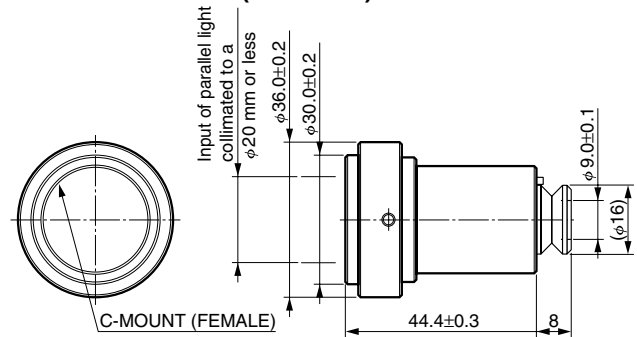
SPECIFICATIONS

Type No.	Effective Beam Size	Weight
A10031	φ8 mm	Approx. 43 g

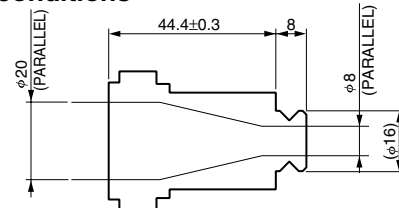
* Supplied: C-mount double male thread ring.

** Designed for wavelength from 400 nm to 700 nm.

Dimensional Outlines (Unit: mm)



Incident light conditions

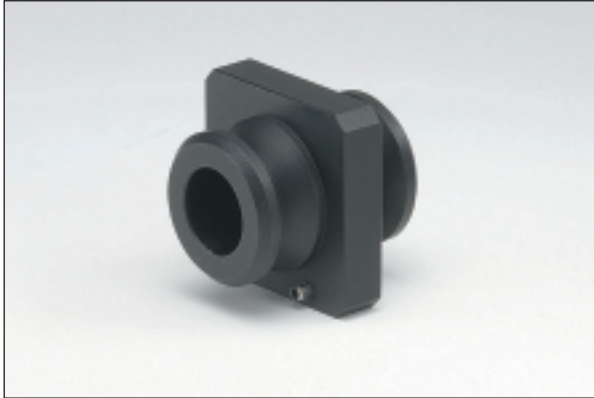


TACCA0271EA

TACCC0127EA

BLOCK CHARACTERISTICS

●Joint Block A10038 Series



▲A10038-01



▲A10038-02

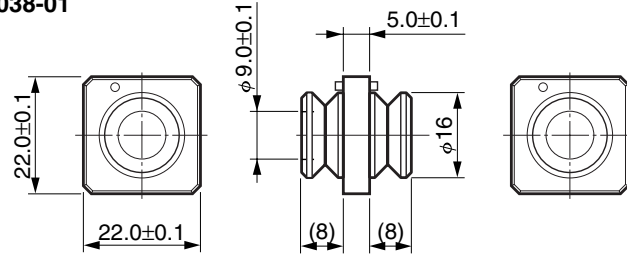
The A10038 series is a joint block for connecting one optical block to another. The joint is available in two types: MM (male-male) type and FF (female-female) type. Interposing the MM block (A10038-01) and/or FF block (A10038-02) between optical blocks allows various connections.

SPECIFICATIONS

Type No.	Effective Beam Size	Weight
A10038-01	φ 8 mm	Approx. 10 g
A10038-02	φ 8 mm	Approx. 25 g

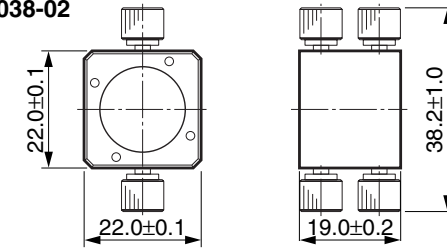
Dimensional Outlines (Unit: mm)

A10038-01



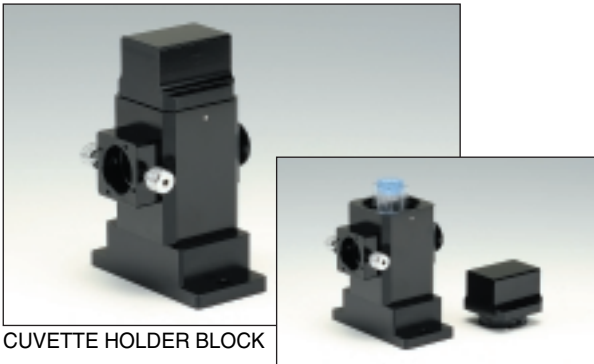
TACCA0284EA

A10038-02



TACCA0285EA

●Cuvette Holder Block A11971



CUVETTE HOLDER BLOCK



CUVETTE HOLDER BLOCK + CUVETTE
NOTE: Cuvette is sold separately.

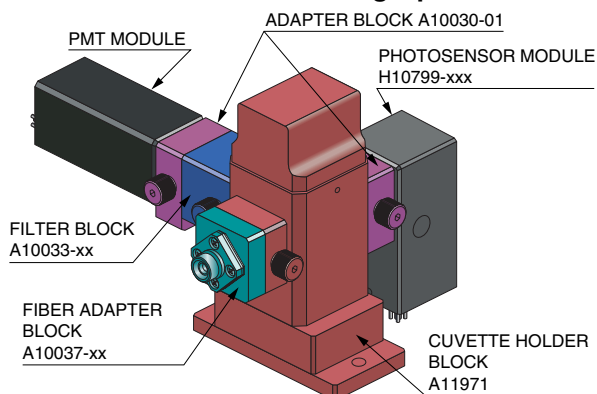
The A11971 cuvette holder block is a small dark box specifically designed for cuvettes with an optical path length of 10 mm. It allows easy measurement of samples in combination with other optical blocks. The base can be removed as needed.

NOTE: This cuvette holder block is very compact. If it falls over, the sample may leak from the cuvette, so we recommend securing the body of the holder block and / or using a capped cuvette.

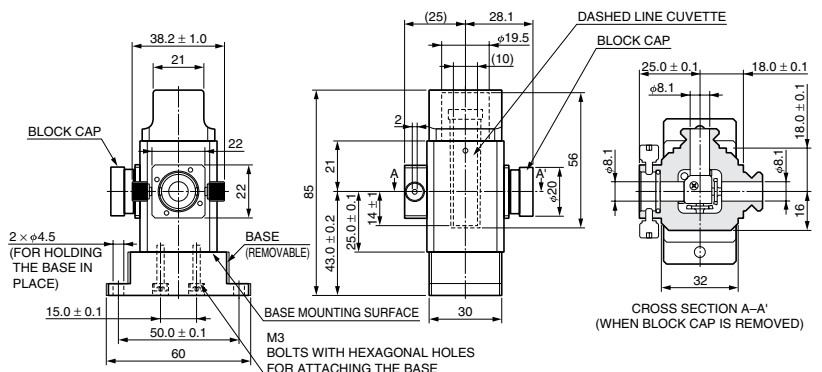
SPECIFICATIONS

Type No.	Effective Beam Size	Applicable Cuvette Size		Weight
		Optical Path Length	Dimensional Outline	
A11971	φ 8 mm	10 mm	□12.5 mm × 56 mm (H)	Approx. 206 g (including the base)

Connection Example: Absorbance and Side Fluorescence Detection Using Optical Fiber

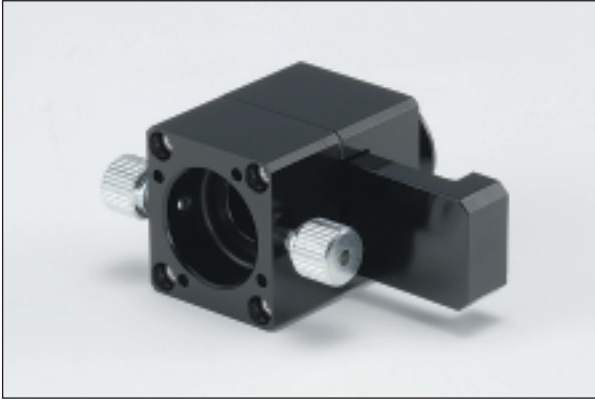


Dimensional Outlines (Unit: mm)



TPMOA0086EA

●Shutter Block A10036



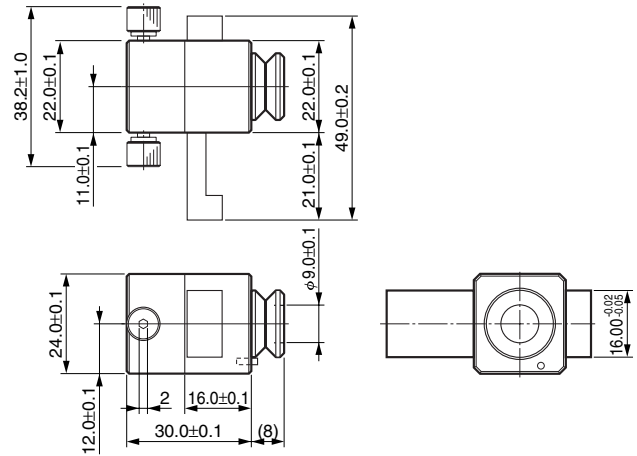
NOTE: If you feel the shutter does not open and close smoothly, we recommend applying small amount of an optical grease to the plate.

The A10036 is a manual shutter block with a plate that is opened and closed by sliding it left and right. Light is sufficiently blocked so there will be no problem even at photon counting levels.

SPECIFICATIONS

Type No.	Effective Beam Size	Weight
A10036	φ8 mm	Approx. 48 g

Dimensional Outlines (Unit: mm)



TACCA0288EA

●ND Filter Block A10032 Series



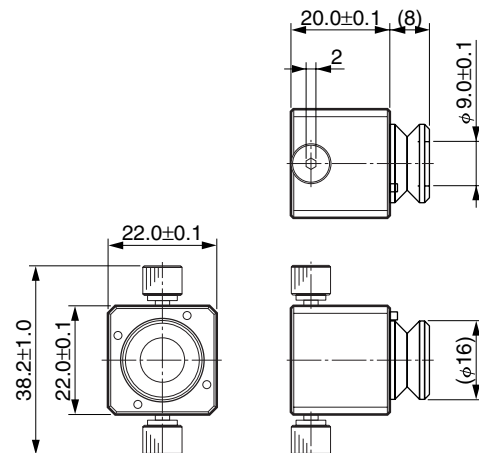
A neutral density (ND) filter is included in this optical block to attenuate light levels.

SPECIFICATIONS

Type No.	Built-in Filter	Transmittance	Effective Beam Size	Weight
A10032-10	ND Filter	10 %	φ8 mm	Approx. 26 g
A10032-11		1 %		

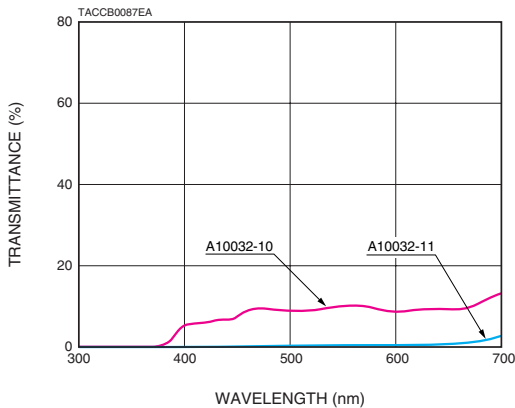
* Light transmittance is the average transmittance at wavelengths from 400 nm to 700 nm.

Dimensional Outlines (Unit: mm)



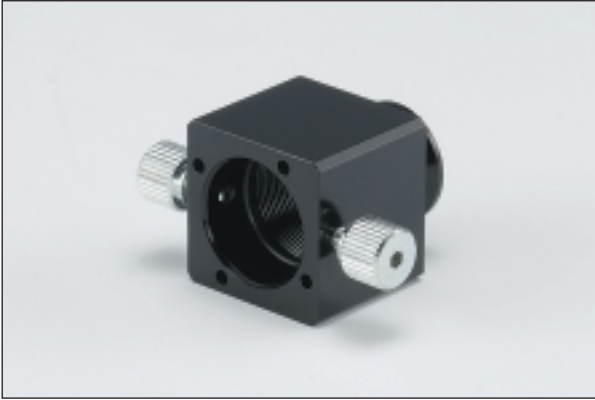
TACCA0272EA

Transmittance (Typical)



BLOCK CHARACTERISTICS

● Filter Block A10033 Series



This optical block contains a filter that passes only particular wavelengths. Bandpass filters and long-pass filters are available.

If you would like to use a filter with specifications other than those described below, purchase the A10033-90 interchangeable filter block (p. 9), which does not come with a preset filter. The A11213 C-mount interchangeable filter block series (p. 17) is also available. Filters with 25 mm diameters can be installed in these blocks.

SPECIFICATIONS

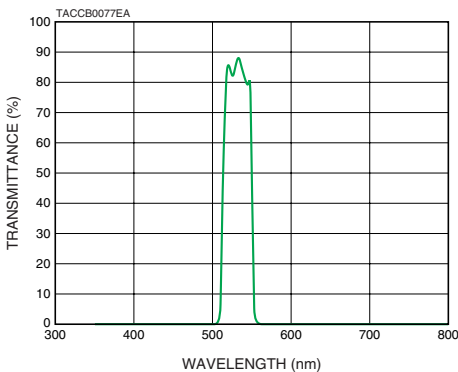
Type No.	Built-in Filter	Central Wavelength	FWHM	Effective Beam Size	Weight
A10033-01	Bandpass Filter	530 nm ± 4 nm	40 nm ± 8 nm	φ8 mm	Approx. 25 g
A10033-02		610 nm ± 4 nm	40 nm ± 8 nm		
A10033-03		630 nm ± 5 nm	60 nm ± 10 nm		
A10033-04		460 nm ± 4 nm	60 nm ± 8 nm		
A10033-05		575 nm ± 4 nm	30 nm ± 8 nm		
A10033-06		700 nm ± 5 nm	60 nm ± 10 nm		

* Stopband: Below 0.01 % at 300 nm to 950 nm (except transmission bands)

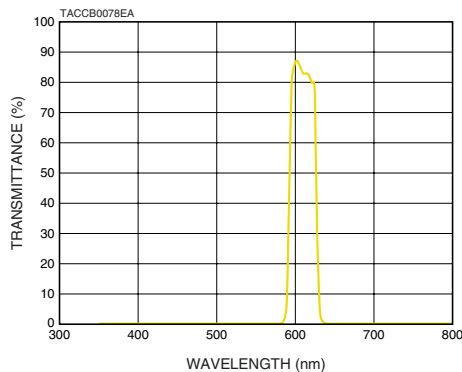
Type No.	Built-in Filter	Cut-on Wavelength	Effective Beam Size	Weight
A10033-61	Longpass Filter	390 nm	φ8 mm	Approx. 25 g
A10033-62		500 nm		
A10033-63		600 nm		
A10033-71		510 nm		

Transmittance [Bandpass filter] (Typical)

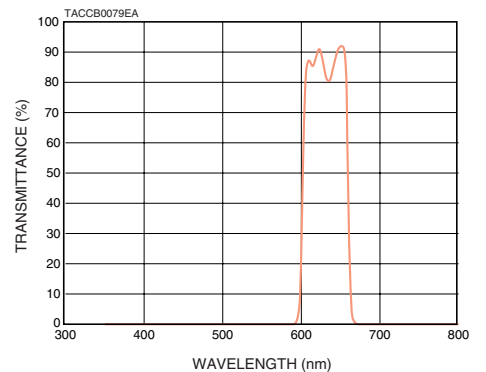
A10033-01



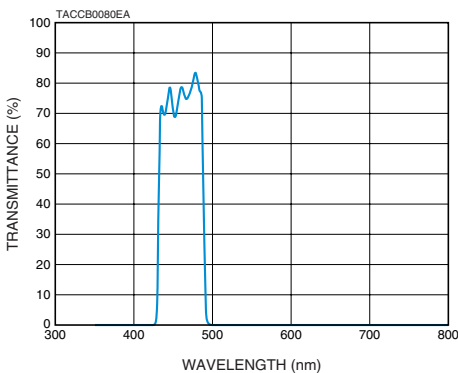
A10033-02



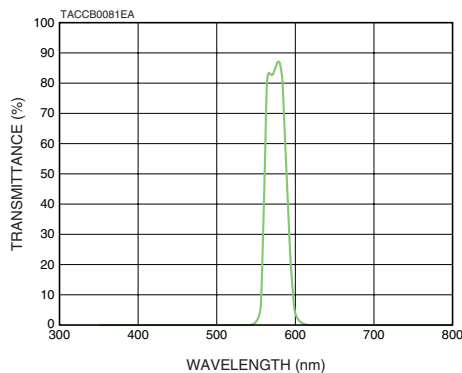
A10033-03



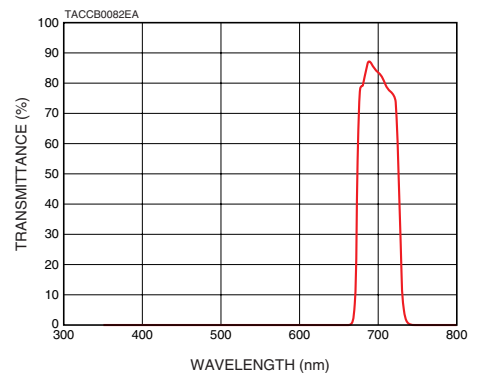
A10033-04



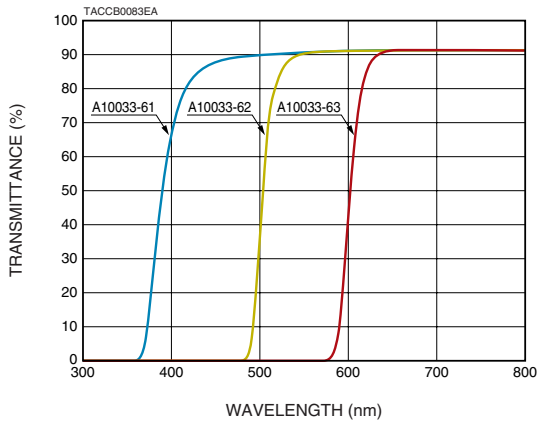
A10033-05



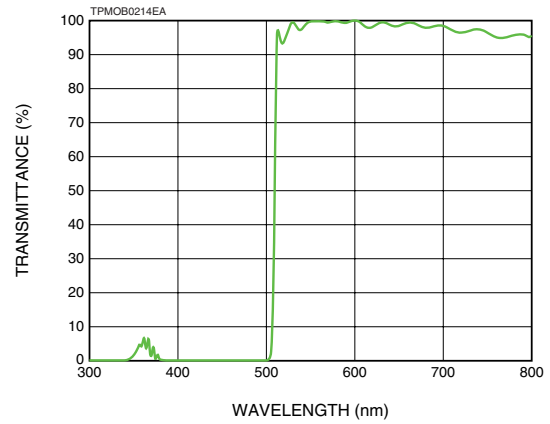
A10033-06



Transmittance [Longpass filter] (Typical)
A10033-61, A10033-62, A10033-63 (Colored glass filter)



A10033-71



* Transmittance characteristics are typical examples and may slightly vary depending on production lots.
 * Dimensional outlines are the same as the A10033-90.

●Interchangeable Filter Block A10033-90

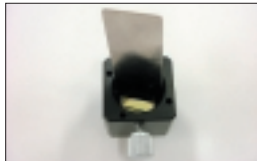
How to install an optical filter



1. Loosen the thumbscrews.



2. Insert, in order, the optical filter, spacer ring and retaining ring.



3. Tighten the retaining ring with the tightening tool.



4. Install the O-ring in place.

NOTE:

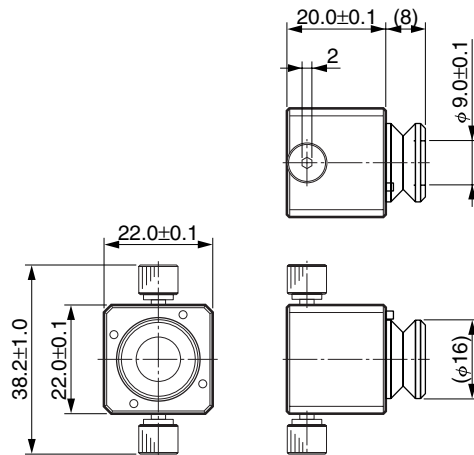
- Filters for this block must be purchased separately.
- Do not install optical filters in the wrong direction because they have the front side and back side for an light beam. Always insert the O-ring for blocking light after installing an optical filter.
- When installing an optical filter, be careful to keep it clean and to avoid getting fingerprints on it.

The A10033-90 is a filter holder block that allows you to insert an optical filter according to your application. The filter is held by the spacer ring and the retaining ring, and can be easily exchanged by using the accessory tool.

SPECIFICATIONS

Type No.	Effective Beam Size	Compatible Filter Size	Weight
A10033-90	φ8 mm	Diameter: 12.7 mm (1/2 inch) to 15 mm (Max.) (recommended: 15 mm) Thickness: 1.5 mm to 5 mm	Approx. 24 g

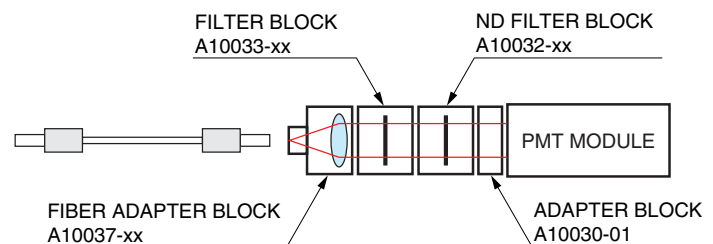
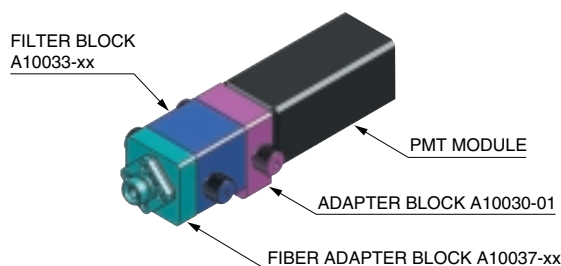
Dimensional Outlines (Unit: mm)



TACCA0272EA

Connection Example: Fiber-Optic Single Wavelength Detection

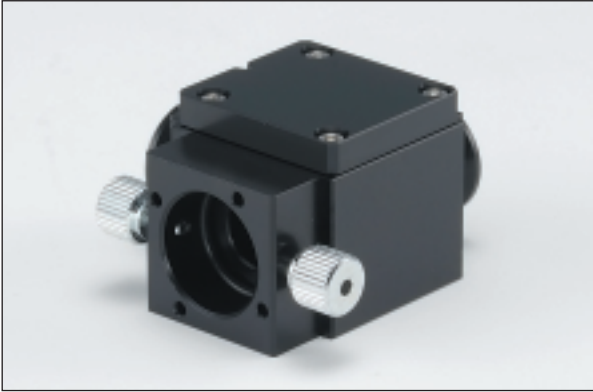
The lens inside the A10037 fiber adapter block collimates the beam of the light signal emitted from the optical fiber. The A10033 filter block only allows a specific wavelength to pass. When dimming the beam, use ND filter block A10032.



TPMOC0211EA

BLOCK CHARACTERISTICS

● Dichroic Block A10034 Series



This optical block contains a dichroic mirror that reflects particular wavelengths but transmits other wavelengths.

If you would like to use a mirror with specifications other than those described below, purchase the A11214 C-mount interchangeable dichroic block (p. 18), which does not come with a preset mirror.

SPECIFICATIONS

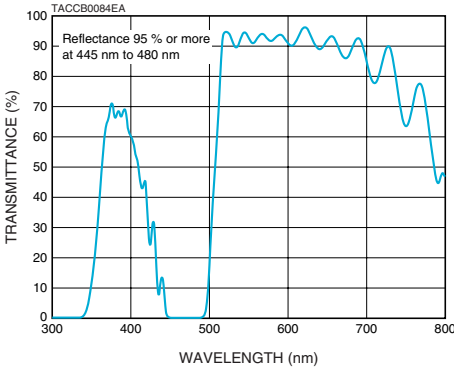
Type No.	Built-in Dichroic Mirror	Effective Beam Size	Weight
A10034-01	DM505	φ8 mm	Approx. 57 g
A10034-02	DM565		
A10034-03	DM600		
A10034-04	DM660		
A10034-05	DM430		
A10034-06	DM455		

NOTE:

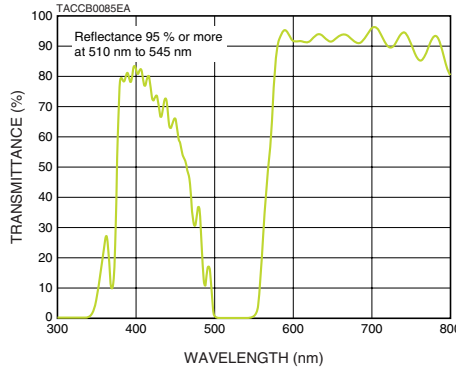
- Ultraviolet light shorter than 380 nm is absorbed by the coating materials deposited on the dichroic mirror, so the reflectance and transmittance significantly decrease.
- For the reflected light, use the wavelength range where light is reflected more than 95 % (see the figures below).

Transmittance (Typical)

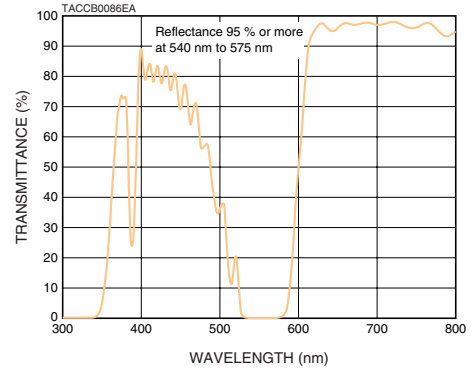
A10034-01



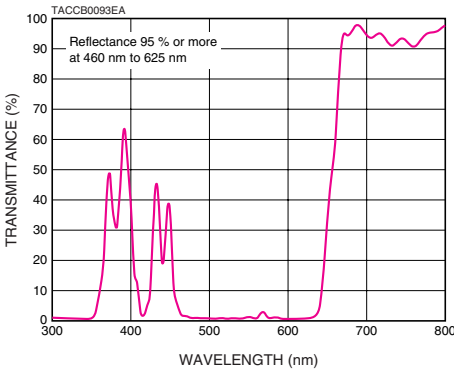
A10034-02



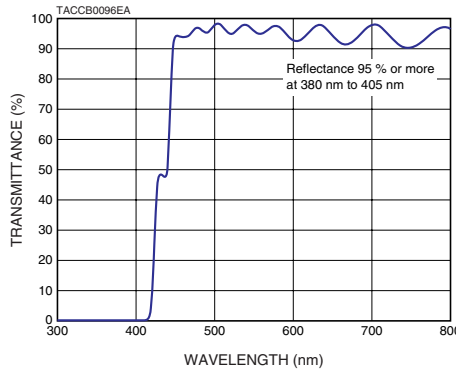
A10034-03



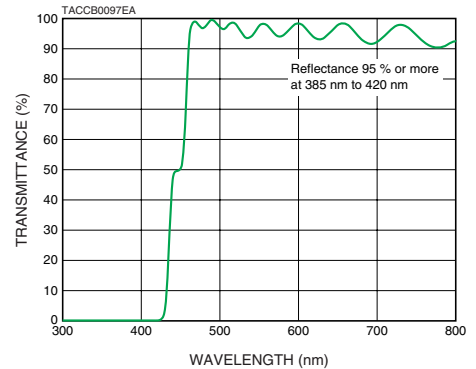
A10034-04



A10034-05



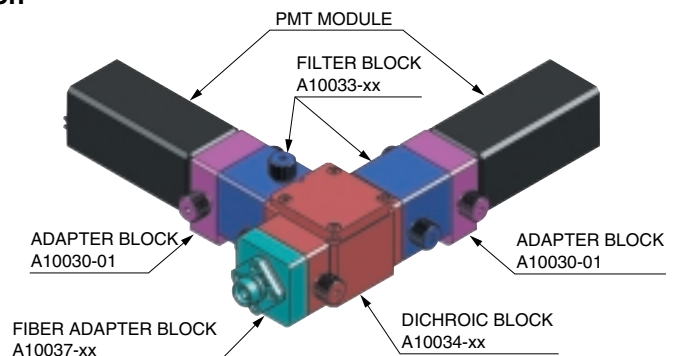
A10034-06



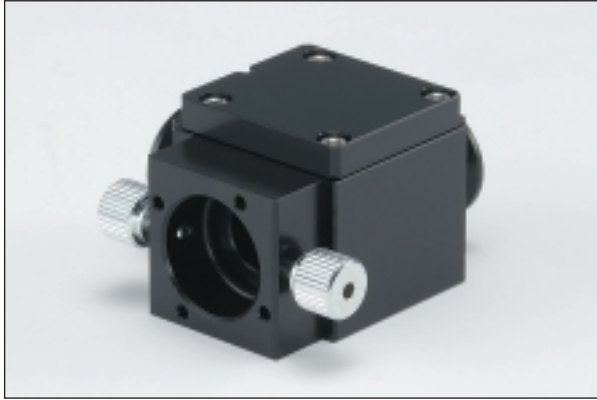
* Dimensional outlines are the same as the A10035 (see the dimensional outlines on the next page).

Connection Example: Fiber-Opic Dual Wavelength Detection

The lens inside the A10037 fiber adapter block collimates the beam of the light signal emitted from the optical fiber. The dichroic mirror inside the A10034 dichroic block reflects light below a certain wavelength and passes light above that wavelength. Finally, each of the two A10033 filter blocks isolates a specific wavelength so that the signal levels of the two separate wavelengths can be measured.

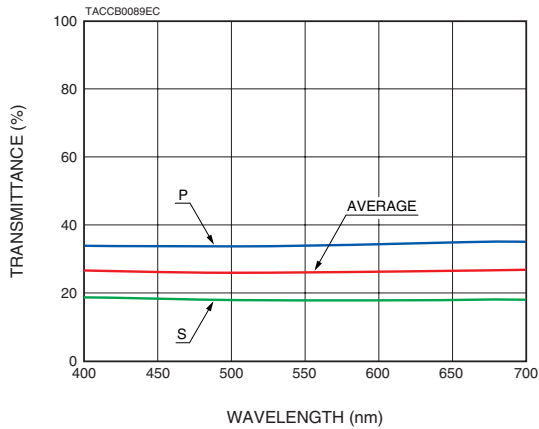


●Beam Splitter Block A10035



NOTE: Light level is cut to approximately one third due to light absorption.

Transmittance (Typical)



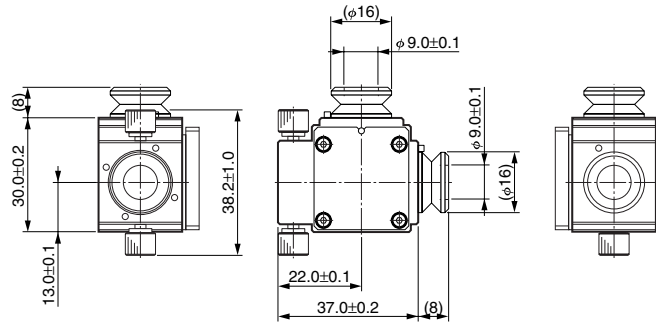
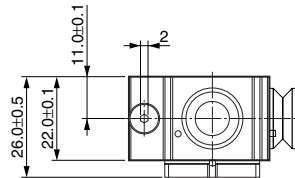
This optical block uses a cubic type half-mirror. Incident light is split into reflected and transmitted beams at a ratio of 1 to 1.

SPECIFICATIONS

Type No.	Effective Beam Size	Weight
A10035	φ8 mm	Approx. 63 g

* Designed for wavelength from 400 nm to 700 nm.

Dimensional Outlines (Unit: mm)



TACCA0273EA

●Beam Splitter Holder Block A10035-90



NOTE:

- The beam splitter is not included.
- Be careful to install the beam splitter so that it faces in the correct direction.
- When installing a beam splitter, be careful to keep it clean and to avoid getting fingerprints on it.

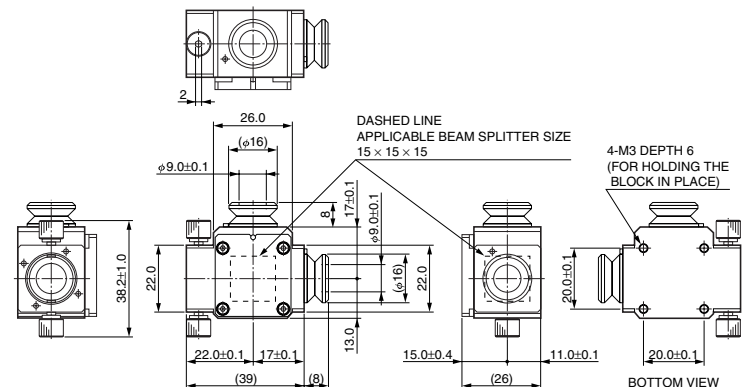
The A10035-90 is a holder block designed to hold a 15 mm cubic type beam splitter.

SPECIFICATIONS

Type No.	Effective Beam Size	Applicable Beam Splitter Size	Weight
A10035-90	φ8 mm	15 mm × 15 mm × 15 mm cubic type	Approx. 55 g

* Supplied: Hex wrench

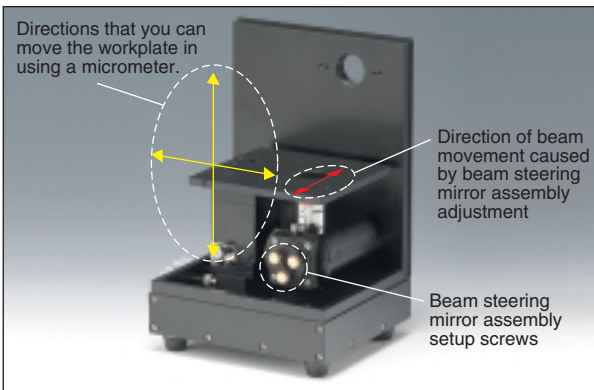
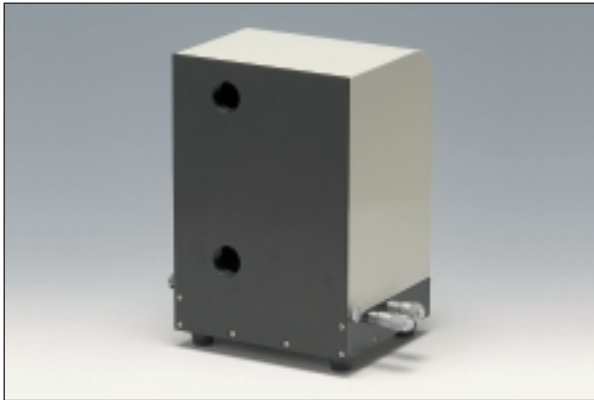
Dimensional Outlines (Unit: mm)



TPMOA0068EA

BLOCK CHARACTERISTICS

●Stage Block A10858



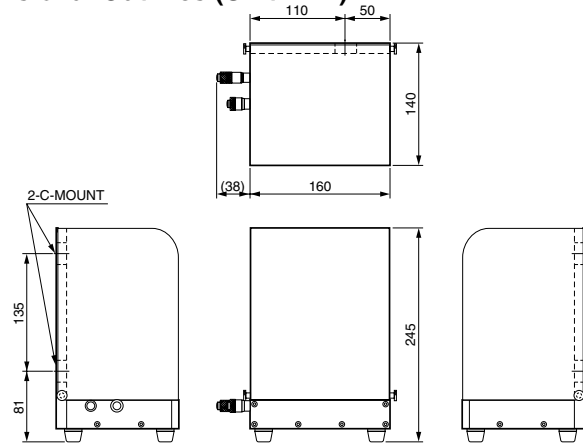
The stage block is for using an infinity-corrected objective lens in object image generation and fluorescence detection. It has two C-mount ports on the top and bottom of its rear panel. You can use other optical blocks to connect the stage block to a PMT module or ICCD camera (p. 27). Because you can use the stage block cover to keep the measured area in darkness, the stage block is useful even when detecting faint light. Furthermore, if you remove the cover and illuminate the sample appropriately using an illuminator, you can generate images by using the stage block with the A10859-01 tube lens block, CCD cameras, and other devices.

SPECIFICATIONS

Type No.	Travels		Port	Compatible Objective Lens	Weight
	X-Axis	Z-Axis			
A10858	±6.5 mm	±3 mm	2; C-mount	Infinity-corrected Objective lens M20.32 × P0.706 Parfocal distance*: 45 mm	Approx. 4 kg

* For information about the parfocal distance, see p. 14.

Dimensional Outlines (Unit: mm)



TPMOA0049EA

Workplate and Beam Movement

From outside of the stage block, you can use a micrometer to move the workplate horizontally along the X axis or vertically along the Z axis. You can also use the three setup screws in the beam steering mirror assembly to change the internal mirror angle and adjust the horizontal Y axis.

Accessories

Stage Block Rack A11058

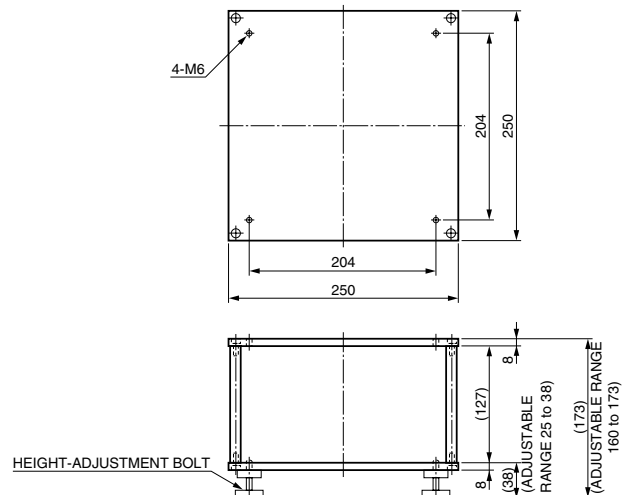


Sizes of the included spacers

Spacer	Size	Thickness	Quantity
Spacer 1	90 mm × 90 mm	10 mm	2
Spacer 2	60 mm × 60 mm	18 mm	1
Spacer 3	60 mm × 60 mm	25 mm	1

The spacer sizes have been designed according to their uses.

Dimensional Outlines (Unit: mm)

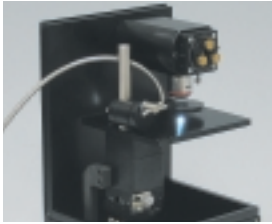


TPMOA0066EA

Part Names and Features

M6 Mounting Hole

M6-thread mounting hole. You can use a mounting post or an angle mount for illumination.



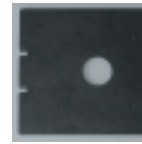
* Please purchase illuminators from a company that manufactures them.

C-Mount Port

There are two C-mount ports at the top and bottom of the stage block. You can connect the stage block to other optical blocks through blocks such as the A11213 C-mount interchangeable filter block.

Workplate

The stage block comes with three different workplates:



A workplate with a 36 mm diameter hole. With this workplate, you can put the sample on a slide and observe its reflected-light or transmitted-light image or measure its fluorescence.



This workplate is specially designed for use with the A10657-01 microwell slide (sold separately).



A workplate that you can place an object on to observe its reflected-light image in an upright configuration or to excite it from above and measure its fluorescence.

Micrometer

The micrometer enables you to perform precise horizontal (X-axis) and vertical (Z-axis) alignment and to accurately reproduce prior positionings.

Spacer



A 20 mm spacer is installed between the workplate and the XZ axis stage. Removing this spacer will give you 20 mm of extra space, which is useful when observing relatively tall objects in an upright configuration.

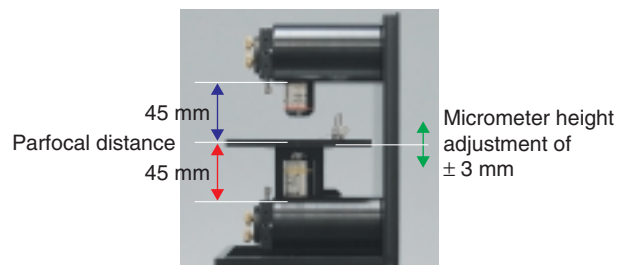


You can move the workplate along the X and Y axes by attaching an X-axis stage (SURUGA SEIKI B11-40C) in place of the spacer.*

* Please direct inquiries about the X-axis stage to SURUGA SEIKI.

Objective Lens Mount A10921

This is a mount for an objective lens. You can mount and remove the objective lens mount using the left and right screws. You can place the objective lens mount at the top of the stage mount for upright configurations, and at the bottom for inverted configurations. The A10858 comes with one objective lens mount.



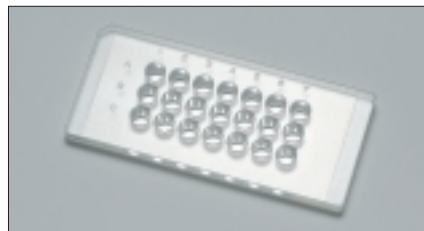
NOTE: An additional A10921 objective lens mount (sold separately) is attached in the above example. Stage clips are not included.

Accessories

Objective Lens Mount A10921



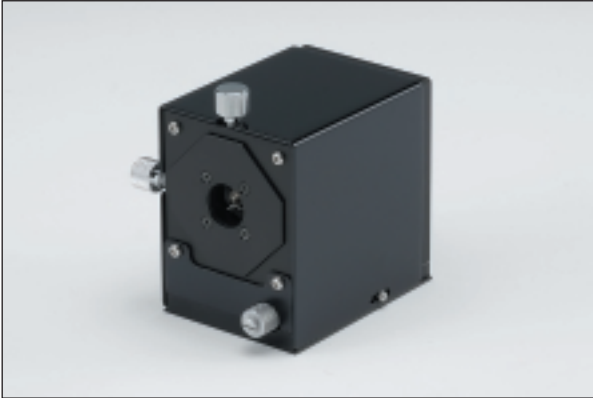
Microwell Slide A10657-01



* There is a separate catalog for microwell slides. Please refer to that catalog for more information.

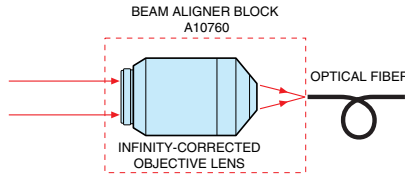
BLOCK CHARACTERISTICS

●Beam Aligner Block A10760

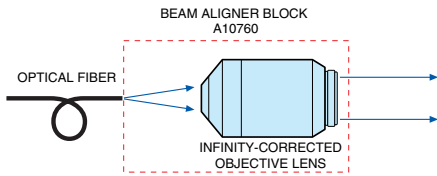


NOTE: Objective lens and fiber-optic cable are not included.

USING EXAMPLE 1: FOCUSING



USING EXAMPLE 2: COLLIMATOR



This optical block is for using an infinity-corrected objective lens to guide laser light into an optical fiber with an attached FC connector or to collimate and transmit the beam from a fiber-optic cable.

The block has two micrometers for positioning the optical fiber along the X and Y axes and an additional micrometer at the bottom for fine adjustments along the Z axis.

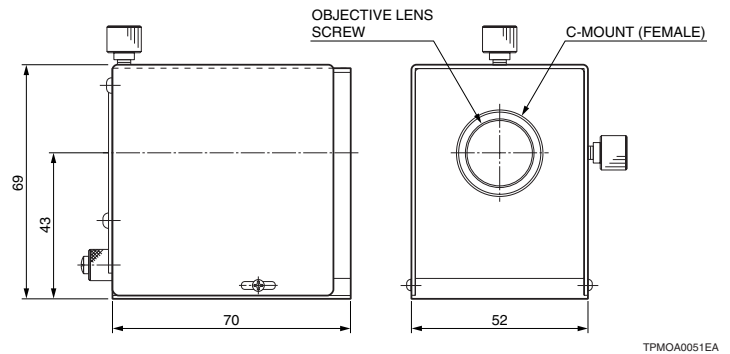
This block has a cover around the objective lens and an additional cover for the entire block that further increases its light shielding capability.

SPECIFICATIONS

Type No.	Travels		Optical Fiber Connector	Compatible Objective Lens	Weight
	XY-Axis	Z-Axis			
A10760	±1 mm	±3 mm	FC	Infinity-corrected Objective lens M20.32 × P0.706 Parfocal distance: 45 mm	Approx. 420 g

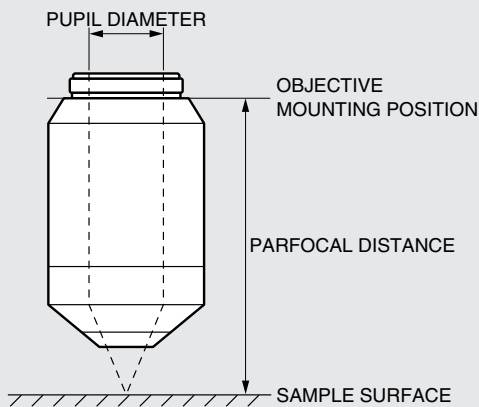
* Supplied: Hex wrench

Dimensional Outlines (Unit: mm)



Technical Guide

Pupil Diameter and Parfocal Distance



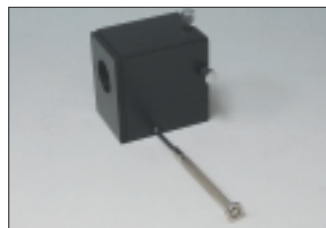
Pupil Diameter

The diameter of the beam that is emitted from the pupil of an objective lens with a focal length f and a numerical aperture NA is given by:

$$\text{Pupil diameter} = 2 \times f \times \text{NA}$$

Parfocal Distance

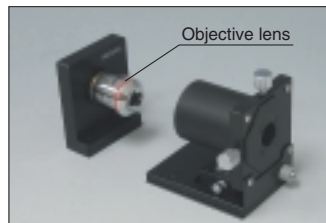
The parfocal distance is the distance from the objective mounting position of the objective lens to the sample at which the sample is in-focus. The A10760 is designed to be used with an objective lens whose parfocal distance is 45 mm.



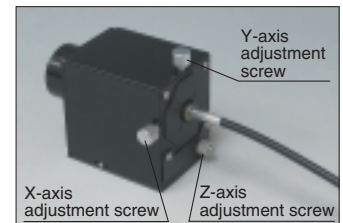
1. Remove the two cover screws using a Phillips-head screwdriver, and then remove the cover.



2. Use the hexagonal wrench that comes with the block to remove the two plate screws, and then remove the plate.



3. Attach an objective lens to the plate's objective lens screw hole (M20.32 P0.706).



4. Reassemble the block by performing steps 1 and 2 in reverse, and then connect the block to other devices. You can align the optical fiber by using the X-, Y-, and Z-axis adjustment screws. Only turn the Z-axis adjustment screw after you have loosened the screws in step 1.

●Tube Lens Block A10859 Series

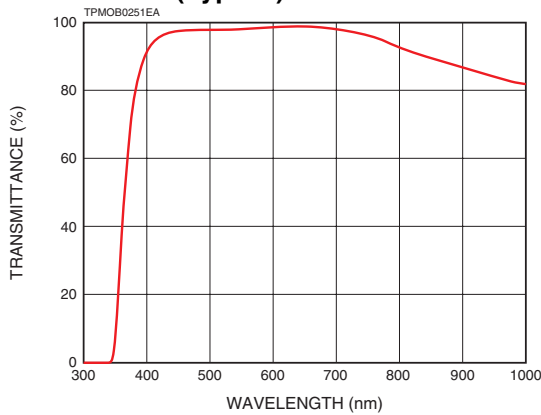


▲A10859



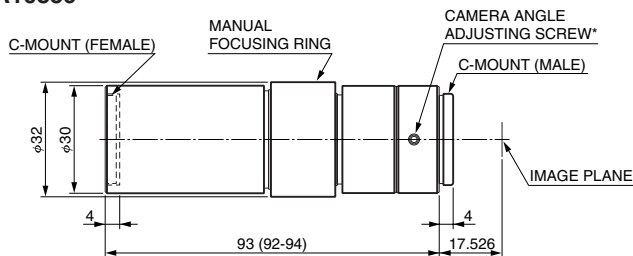
▲A10859-01

Transmittance (Typical)



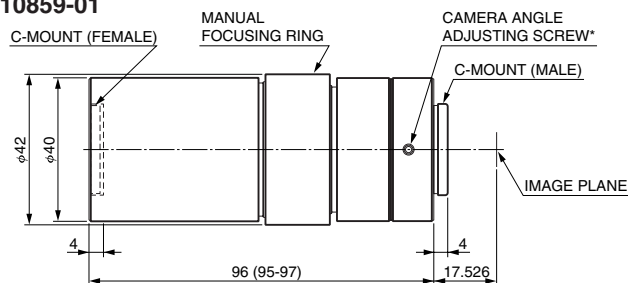
Dimensional Outlines (Unit: mm)

A10859



TPMOA0052EA

A10859-01



* You can adjust the camera tilt by loosening this screw and turning the tube lens block.

TPMOA0053EA

These are video lens blocks for use with the infinity-corrected objective lenses. It has a tube lens with a focal length of 100 mm to form an image. One side has a male C-mount thread, and the other side has a female C-mount thread. You can attach a device such as an ICCD or CCD camera to the side with the male thread.

You can use a C-mount double male thread ring to connect the side with the female thread to the A10858 stage block.

The tube lens block reduces aberration through the use of an achromatic lens.

SPECIFICATIONS

Type No.	Focal Length	Effective Beam Size	Recommended Sensor Size	Weight
A10859	100 mm	φ15 mm	1/3 inches or less	Approx. 130 g
A10859-01		φ24 mm	1/2 inches or less	Approx. 205 g

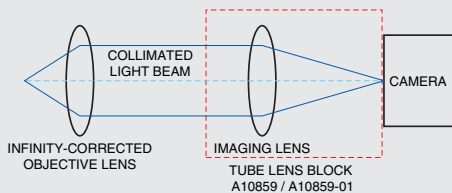
* Supplied: C-mount double male thread ring.

* Designed for wavelength from 400 nm to 700 nm.

Technical Guide

Imaging Lens

The light from the sample is collimated by the infinity-corrected objective lens before it enters the imaging lens. The imaging lens focuses the image on the focal point.



TPMOC0224EA

Magnification

You can calculate the magnification from the imaging lens focal length (100 mm) and the focal length of the microscope's objective lens.

$$\text{Magnification (M)} = \frac{\text{Imaging lens focal length}}{\text{Objective lens focal length}} = \frac{100}{\text{Objective lens focal length}}$$

Example: When the objective lens focal length is 45 mm, the magnification is approximately 2.2 times.

Distance Between the Imaging Lens and the Objective Lens

Even though the beam of light that passes from the infinity-corrected objective lens to the imaging lens is collimated, the distance between the lenses must still be kept below a certain limit. This limit (L) can be calculated from the specifications of the objective and imaging lenses and the effective area of the sensor.

$$L \text{ (mm)} = \frac{f_2(\phi_2 - \phi_1)}{\phi}$$

$$\phi_1 = 2 \times f_1 \times \text{NA}$$

$$d = \frac{\phi}{M}$$

where ϕ_1 is the objective lens's exit pupil diameter (mm), f_1 is the focal length (mm), NA is the numeric aperture, ϕ_2 is the imaging lens effective diameter, f_2 is the focal length (mm), ϕ is the effective sensor area, and d is the observation area.

To avoid vignetting when using the A10859 with objective lens ($f_1 = 18$ mm, NA = 0.25) and a 1/3-inch video camera ($\phi = 6$ mm), keep the distance from the objective lens to the A10859 below 100 mm. At this distance, placing a dichroic mirror between the objective lens and the A10859 will not have much of an effect on the overall optical characteristics.

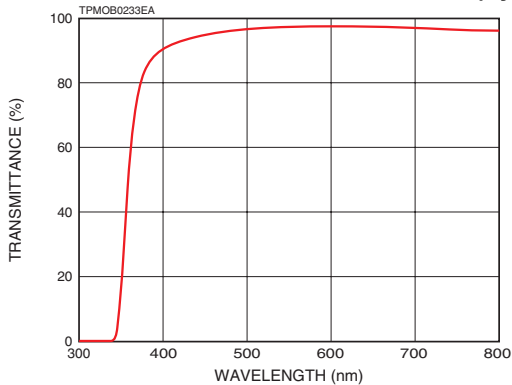
BLOCK CHARACTERISTICS

● Pinhole Holder Block A11027



- NOTE:**
- The collimate status changes depending on the pinhole diameter and the wavelength. (The assumed wavelength is between 400 nm and 700 nm.)
 - The pinhole is not included. Use a pinhole that is installed in a mount. (Products by companies such as SIGMA KOKI CO., LTD.; SURUGA SEIKI CO., LTD.; and CVI Melles Griot can be used.)
 - Be careful to install the pinhole so that it faces in the correct direction.
 - When installing a pinhole, be careful to keep it clean and to avoid getting fingerprints on it.

Transmittance for the Collimation Lens (Typical)



The A11027 is a holder block for mounting a pinhole. The screws can be used to adjust the pinhole's position in the XY directions. The built-in lens collimates the light that passes through the pinhole and converges the light on a photodetector.

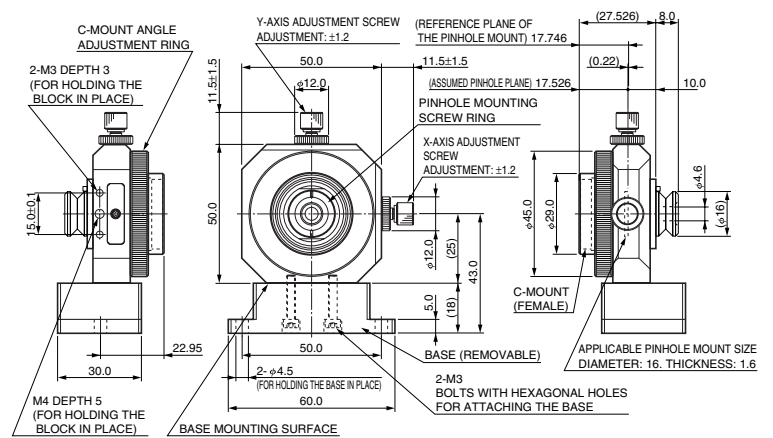
There is a base attached to the holder block through the M3 screw holes in the bottom of the block. If necessary, this base can be removed and re-attached to the side of the block.

SPECIFICATIONS

Type No.	Applicable Pinhole Mount Size	XY Axis Range of Motion	Adjustment Screw Pitch	Focal Length	Weight
A11027	Diameter: 16 mm Thickness: 1.58 mm to 1.6 mm	±1.2	0.25 mm	15 mm	Approx. 180 g (including the base)

* Supplied: Screw ring tool and hex wrench

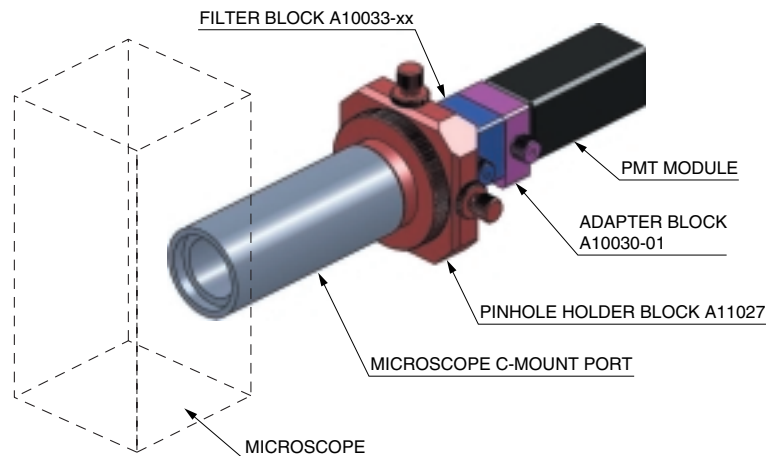
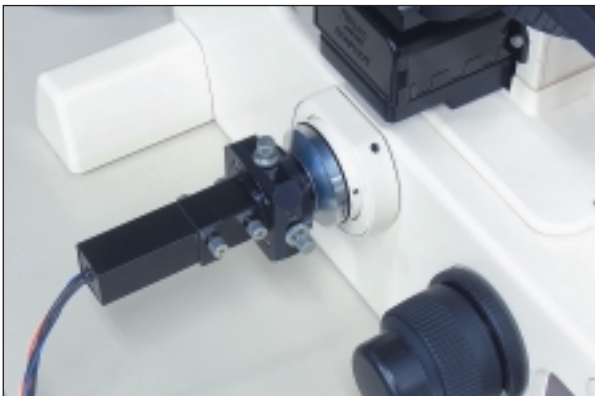
Dimensional Outlines (Unit: mm)



TACCA0070EA

Extended Example of Microscope

Connecting the A11027 pinhole holder block to the C-mount port of a microscope configures a confocal optical system. Light passing through the pinhole is collimated by the lens in the block and is efficiently guided to the PMT module.



●C-Mount Interchangeable Filter Block A11213 Series



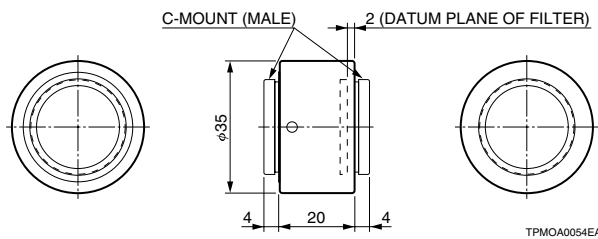
▲Left: A11213, Right: A11213-01

NOTE: •Filters and lenses for this block must be purchased separately.

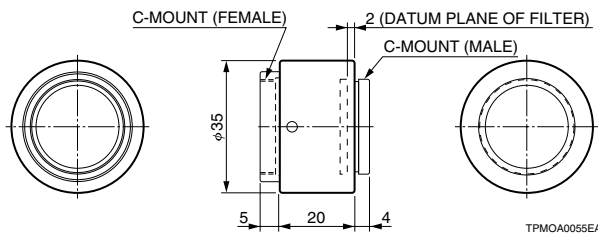
- When you install a filter that is designed to receive a beam of light from a specific side, make sure that you install the filter in the correct direction.
- When installing an optical filter or other device, be careful to keep it clean and to avoid getting fingerprints on it.

Dimensional Outlines (Unit: mm)

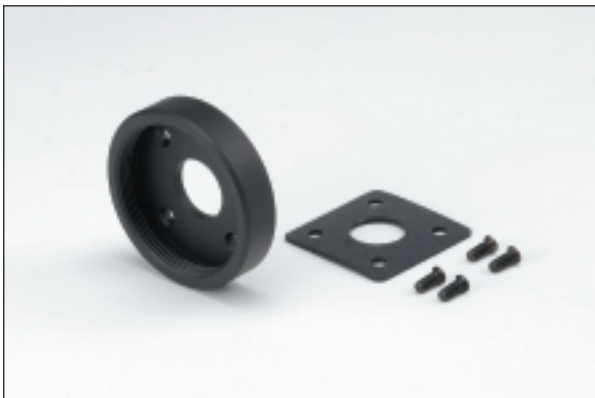
A11213 (Male–Male Type)



A11213-01 (Male–Female Type)



●C-Mount Ring A9865



COMPATIBLE PMT MODULES

H10720/H10721/H10722/H10723/H11706/H12056/H10682
H11890/H11526
H10799 (built-in photodiode)

These C-mount threaded optical blocks are for installing commercial optical filters and lenses with 25 mm diameters. You can use it with the A11214 C-mount interchangeable dichroic block to measure fluorescence or perform other tasks.

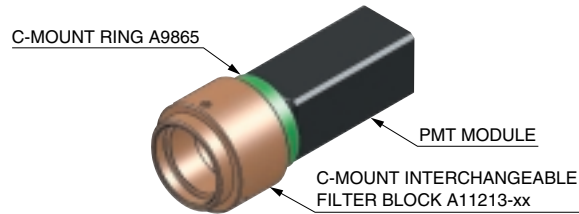
Because this block enables angle adjustment, it is also useful as a spacer between C-mounts and as a connection adapter.

SPECIFICATIONS

Type No.	Effective Beam Size	Compatible Filter Size	Weight
A11213	φ20 mm	Diameter: 24 mm to 26 mm (25 mm to 25.4 mm recommended)	Approx. 29 g
A11213-01		Thickness: 5 mm (Max.) (2 mm to 5 mm recommended)	Approx. 30 g

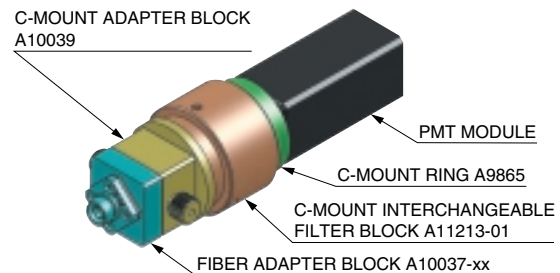
Connection Example: Single Wavelength Detection

Only light at a specific wavelength passes through the optical filter assembled in the block and is detected by the PMT module.



Connection Example: Fiber-Optic Single Wavelength Detection

Light emitted and spread from the optical fiber cable is collimated by the lens in the A10037 series fiber adapter block and is efficiently guided to the PMT module.

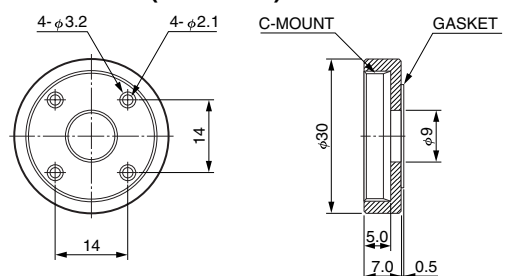


This ring is for connecting a PMT module to a optical block and an equipment with C-mount.

SPECIFICATIONS

Type No.	Effective Beam Size	Weight
A9865	φ8 mm	Approx. 7 g

Dimensional Outlines (Unit: mm)



TPMOA0056EA

BLOCK CHARACTERISTICS

●C-Mount Interchangeable Dichroic Block A11214



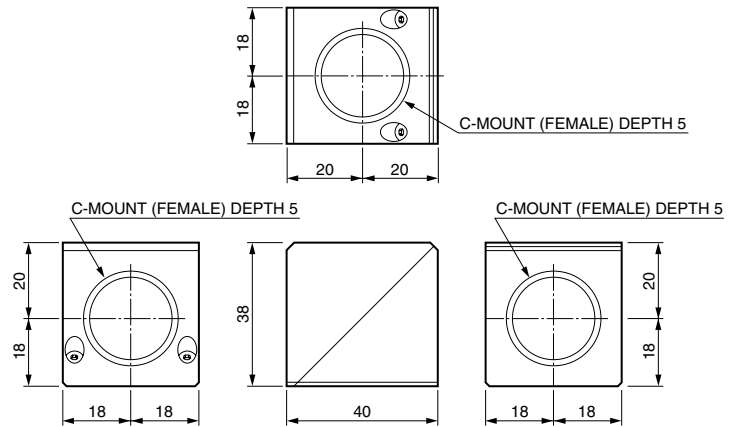
This C-mount threaded optical block is for installing a dichroic mirror for use at a 45° angle of incidence. You can use typical dichroic mirrors that are commercially available for use with microscopes.

SPECIFICATIONS

Type No.	Effective Beam Size	Compatible Dichroic Mirror Size	Weight
A11214	φ20 mm	25 mm to 26 mm (W) × 35 mm to 38 mm (H) Thickness: 0.9 mm to 1.1 mm (1 mm recommended)	Approx. 84 g

* Supplied: Hex wrench

Dimensional Outlines (Unit: mm)



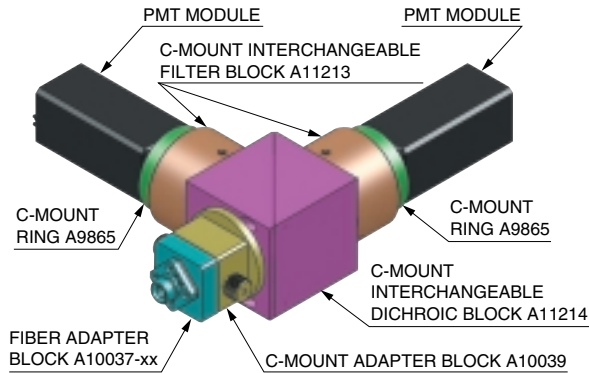
TPMOA0057EA

- NOTE:**
- Dichroic mirrors for this block must be purchased separately.
 - Commercially sold dichroic mirrors usually have markings to distinguish their front and back sides. Be careful to install dichroic mirrors in the A11214 in the correct direction.
 - When installing a dichroic mirror, be careful to keep it clean and to avoid getting fingerprints on it.

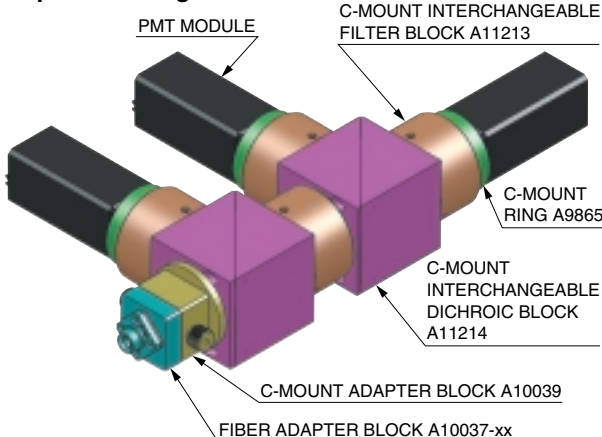
Connection Example: Fiber-Optic Dual / Triple Wavelength Detection

The dichroic mirror assembled in the block reflects light at wavelengths shorter than a specific wavelength and transmits longer wavelength light. Furthermore, only light at a specific wavelength passes through the optical filter and is then detected by the PMT module.

Dual Wavelength Detection



Triple Wavelength Detection



●Polarizer Holder Block A11026



NOTE: • The polarizing filter or waveplate is not included.
 (Products by companies such as Edmund Optics Inc. and SIGMA KOKI CO., LTD. can be used.)
 • When installing a polarizing element, be careful to keep it clean and to avoid getting fingerprints on it.

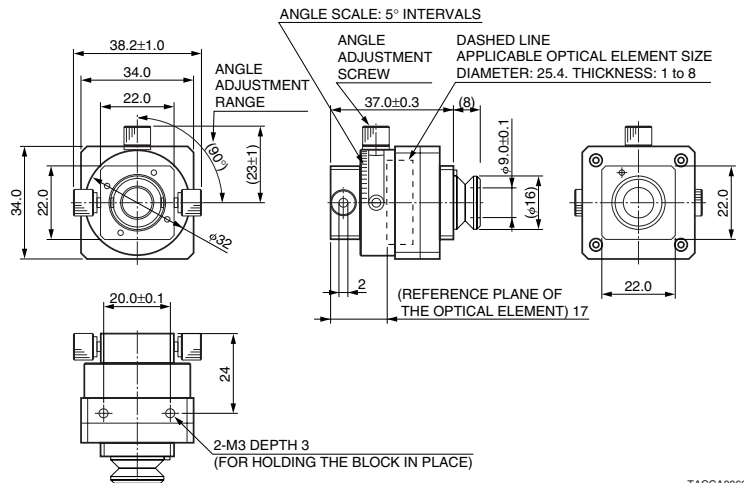
Polarizing filters and waveplates are polarizing elements whose polarization characteristics change depending on direction and angle. The A11026 is a simple, coarse-movement holder block that can be used to adjust the direction and angle.

SPECIFICATIONS

Type No.	Effective Beam Size	Applicable Polarizing Element Size	Adjustable Range	Angle Scale	Weight
A11026	$\phi 8$ mm	Diameter: 25 mm to 25.4 mm Thickness: 1 mm to 8 mm	90° ①	5° ② Intervals	Approx. 55 g

- ① Can be rotated 90° or more by changing the angle adjustment screw position.
 ② Scale indicates adjustment intervals and does not indicate adjustable pitch.
 Can be fixed at any desired angle within the adjustable range of 90°.
 * Supplied: Hex wrench

Dimensional Outlines (Unit: mm)



TACCA0069EA

●Parts Set A10455-02

This maintenance kit includes a set of screws and O-rings needed to assemble optical blocks.

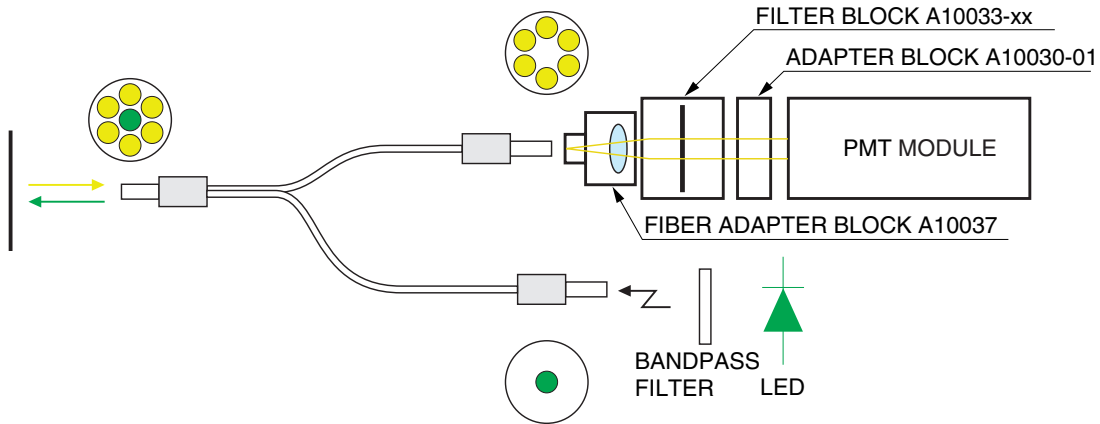
Parts	Qty.	Optical blocks using parts at left
Hex wrench	1 (5 pcs/set)	A10030*, A10035-90, A10760, A10858, A10859, A11027, A11213, A11214, A11971
Thumb screws	4	A10030-01, A10030-02, A10032, A10033, A10034, A10035, A10036, A10038-02, A10039, A11026, A11971
Filter remove tool	1	A10033-90
Screw-ring tool	1	A11027
O-rings (φ15 mm)	2	A10030-01, A10032, A10033, A10034, A10035, A10036, A10038-02, A10039, A11026, A11971
O-rings (φ26 mm)	1	A10039
O-rings (φ28 mm)	1	A11026
Screws M2 × 12	10	A10030-01, A10030-02
Screws M2 × 16	10	A10039
Hex socket setscrews M2 × 2	10	A10035-90
Hex socket setscrews M2 × 4	10	A10030*
Hex socket setscrews M3 × 4	10	A11213
Hex socket bolts M2 × 8	10	A10030*, A10035-90, A11026
Hex socket bolts M2.6 × 6	10	A11214
Hex socket setscrews M3 × 16	5	A11027
Washers	3	A11026

* The A10030 is not currently sold.

CONNECTION EXAMPLES

●Connection Example Using Bifurcated Optical Fiber

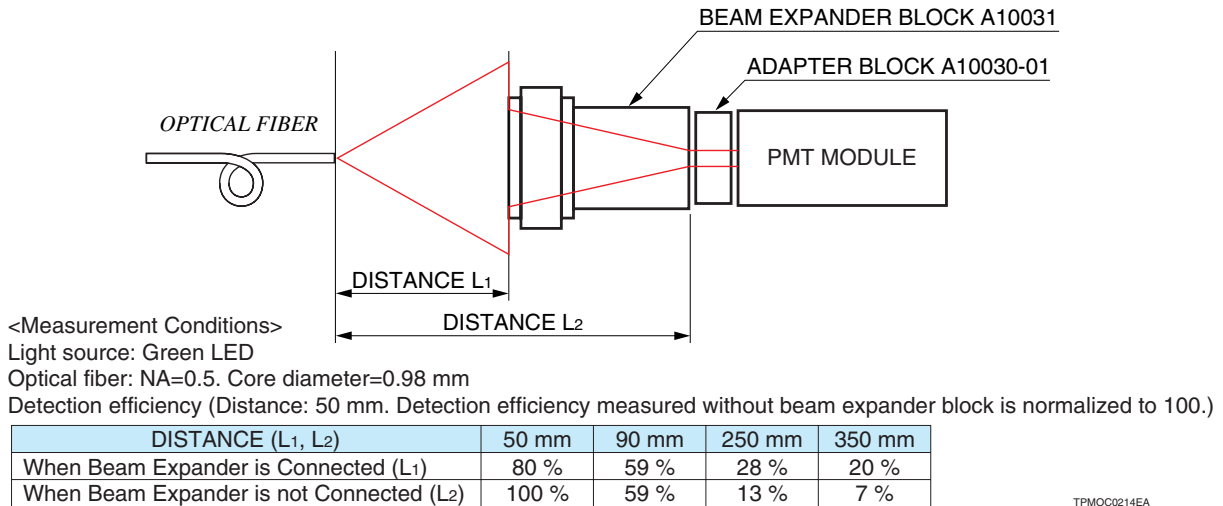
Light from a light source is injected into one arm of the bifurcated optical fiber to irradiate a sample or measurement surface. Fluorescence emitted from the sample or light reflected from the measurement surface is collected by the same optical fiber and then detected by the PMT module through the other arm of the bifurcated optical fiber.



TPMOC0213EA

●Connection Example Using the Beam Expander Block

The A10031 beam expander block is designed to narrow a 20-mm beam of collimated light to a diameter of 8 mm, the size of the PMT module's photocathode; however, the expander block's use is not just limited to collimated light, it can also be used to converge divergent light. For example, if you use the beam expander block to receive the divergent light from an optical fiber, the signal level will be higher than if you had just used a PMT module.

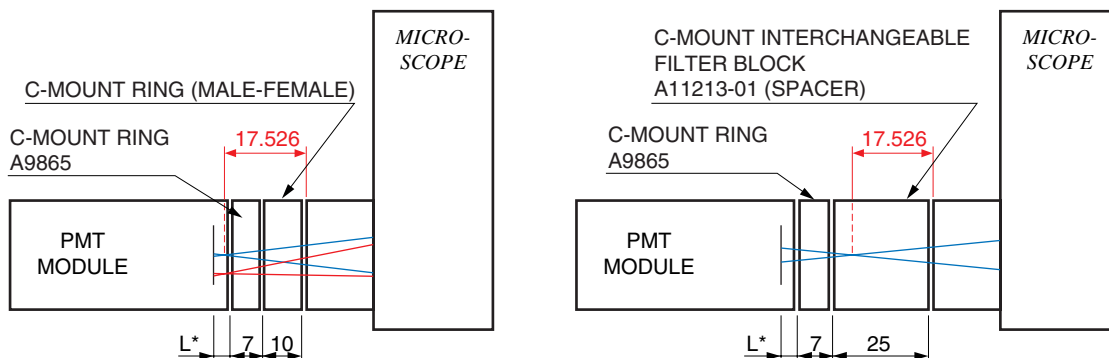


TPMOC0214EA

●Connecting to a Microscope

The microscope port is designed so that the image is focused at 17.526 mm from the C-mount attachment location. When you connect a C-mount adapter to a commercially sold 10-mm C-mount ring (male to female), the approximate location of the image point is at the PMT module's photocathode (as shown in the figure on the left).

If the light converges to a diameter of 1 mm or less at the image point, do not match the location of the image point to the location of the PMT module's photocathode; instead, expose the photocathode to a defocused light beam with a diameter of 1 mm or more.



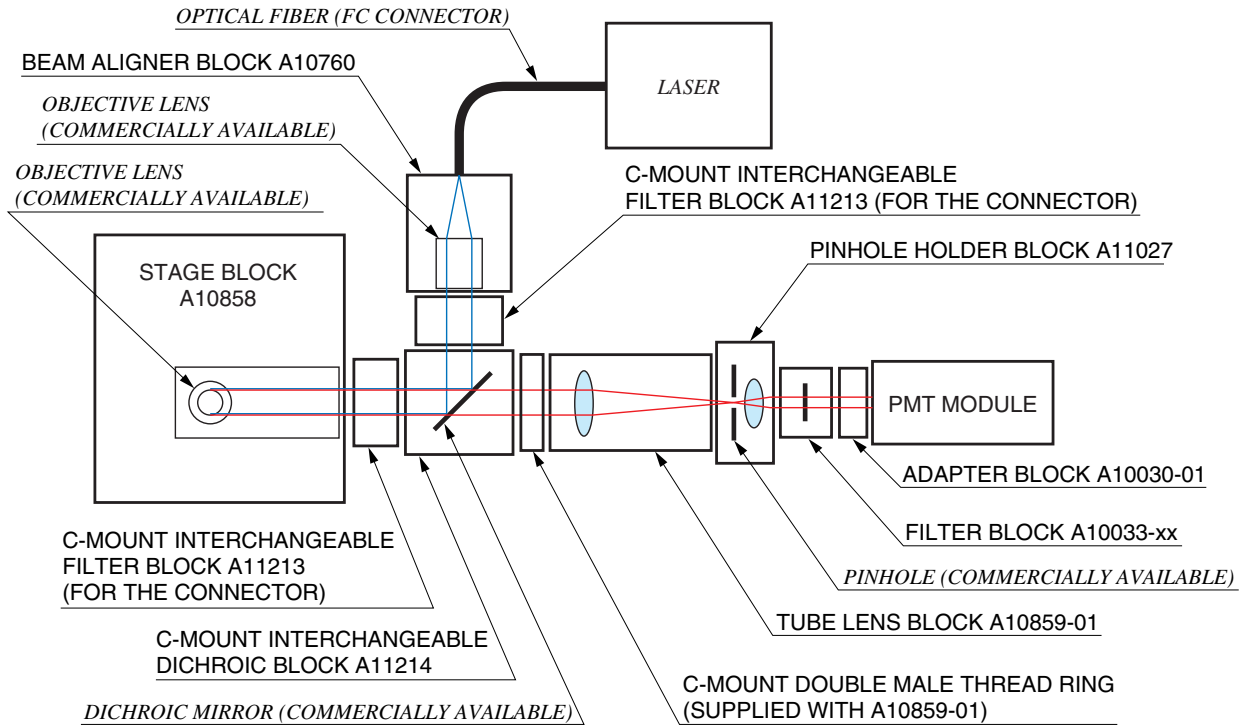
* L is the distance from the attached end of the PMT module to the photocathode.

TPMOC0216EA

●Fluorescence Detection (Confocal)

For detecting fluorescence, it is convenient to use a laser with an optical fiber output. If you intend to focus the laser up to the diffraction limit, use single-mode optical fiber. The infinity-corrected objective lens inside the beam aligner block collimates the light beam emitted from the optical fiber. In this situation, you can collect the light efficiently if you use an objective lens with an NA that is larger than that of the optical fiber. You can calculate the beam diameter from the optical fiber NA or the objective lens NA, whichever is smaller, and the focal length of the objective lens.

The laser is reflected by the dichroic mirror, passes through the objective lens in the stage block, and excites the sample. The excited fluorescence passes through the objective lens, dichroic mirror, and tube lens block and is focused on the position of the pinhole that is installed in the pinhole block. This creates the confocal optical system. The light that passes through the pinhole is collimated by the installed lens and is injected into the PMT module.



TPMOC0217EA

Technical Guide

The performance of the confocal optical system is determined by the size of the pinhole. The Airy disk (diameter) is used as the reference. The following equation is used to calculate the Airy disk. The system magnification is determined by the focal length of the observation-side objective lens and the focal length of the tube lens block.

$$\text{Airy disk (diameter)} = 1.22 \times M \times \frac{\lambda}{\text{NA}}$$

$$M: \text{System magnification} = \frac{\text{Focal length of the tube lens block}}{\text{Focal length of the observation-side objective lens}^*}$$

λ : Fluorescence wavelength

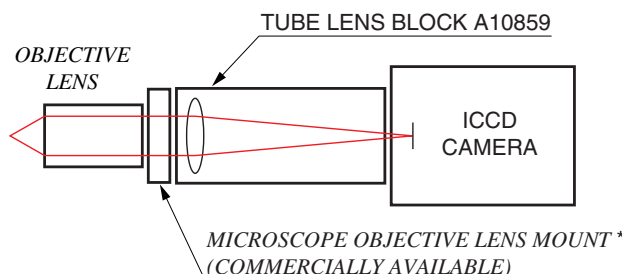
NA: NA of the observation-side objective lens

* If the objective lens focal distance on the observation side is unknown, please contact the lens manufacturer.

If spatial resolution is important, use a pinhole whose size is close to the size of the Airy disk. If you are only measuring fluorescence intensity, make the pinhole larger than the Airy disk; this will lower the spatial resolution, but it will also increase the signal level.

●Connection Example Using an Objective Lens and the Tube Lens Block

An infinity-corrected objective lens is connected to the A10859 tube lens block with a microscope objective lens mount, which has threads for a M20.32 × 0.706 mm objective lens and a C-mount male thread. Next, the tube lens block is connected to an imaging camera, such as an ICCD camera. You can adjust the focus using the manual focusing ring on the tube lens block.



* Example: Edmund Optics
Microscope objective lens mount

TPMOC0215EA

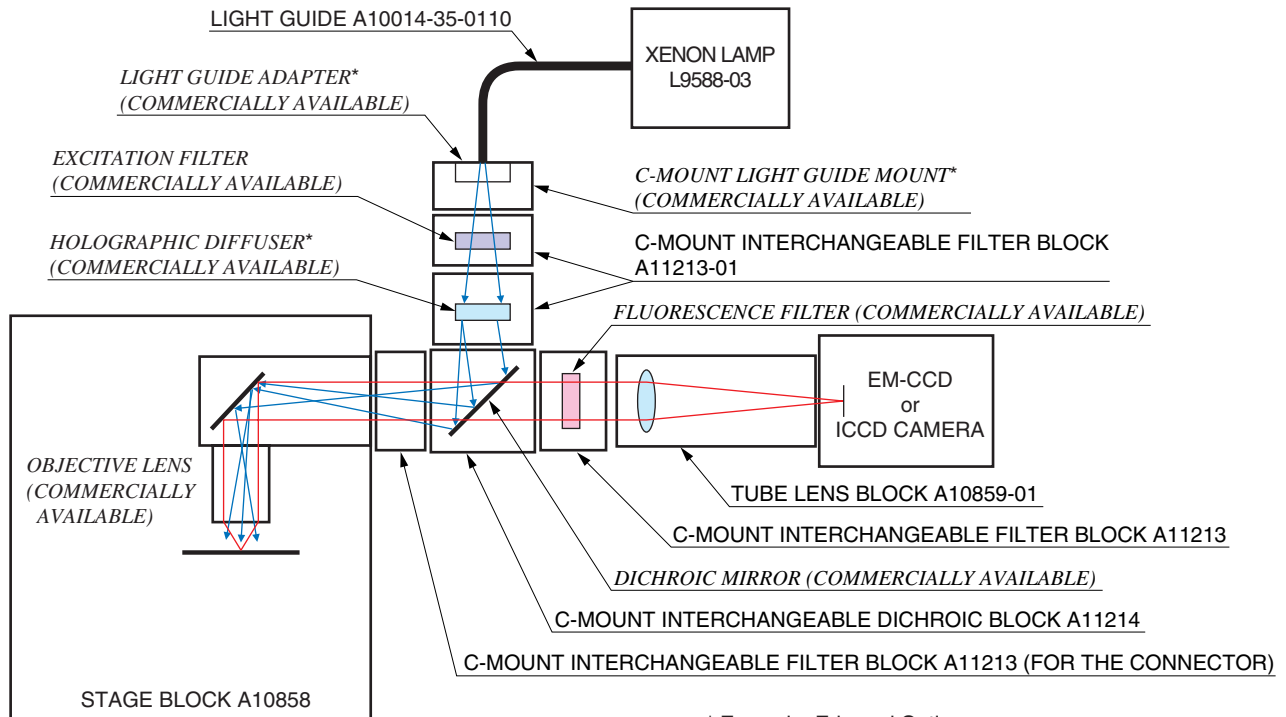
CONNECTION EXAMPLES

● Imaging System Connection Example

Coaxial Incident Illumination Method

Illuminate the sample with a fiber bundle connected to a xenon arc lamp. You can attach the fiber bundle easily by using a commercially sold C-mount light guide mount. To excite the sample, put an excitation filter that matches its fluorescent dye into the A11213-01 C-mount interchangeable filter block. If the light from the fiber bundle is not diffused enough, you can illuminate the sample evenly by inserting a holographic or other type of diffuser.

The dichroic mirror reflects the excitation light. Then, the objective lens of the A10858 stage block focuses the light onto the sample, which is excited by the light. The fluorescence emitted from the sample passes through the dichroic mirror and the fluorescence filter and is focused onto the imaging camera by the lens inside the A10859-01 tube lens block.

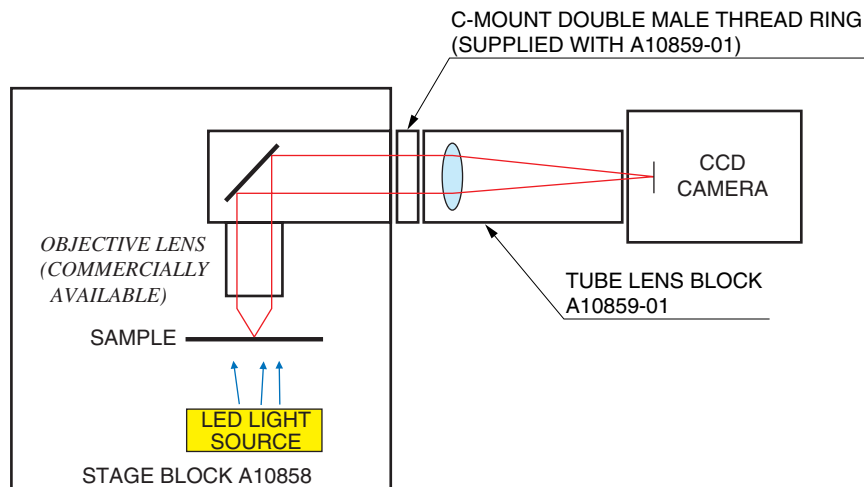


- * Example: Edmund Optics
- C-Thread Light Guide Mounting Adapter
 - Fiber Optic Light Guide Adapter SX-6
 - Holographic Diffuser: ϕ 25 mm Type

TPMOC0218EA

Transmitted Illumination Method

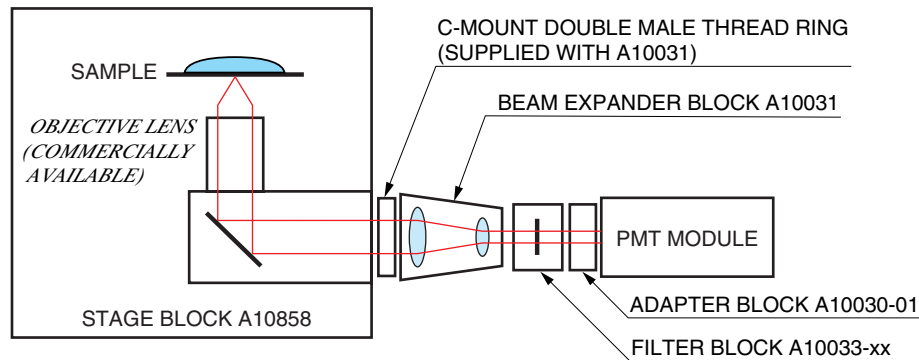
This is an imaging example that uses transmitted illumination. The image of the sample is focused onto an imaging camera, such as a CCD camera, by an infinity-corrected objective lens and the A10859-01 tube lens block. A convenient way to illuminate the sample is to use a commercially sold LED illuminator.



TPMOC0219JA

●Emission Detection

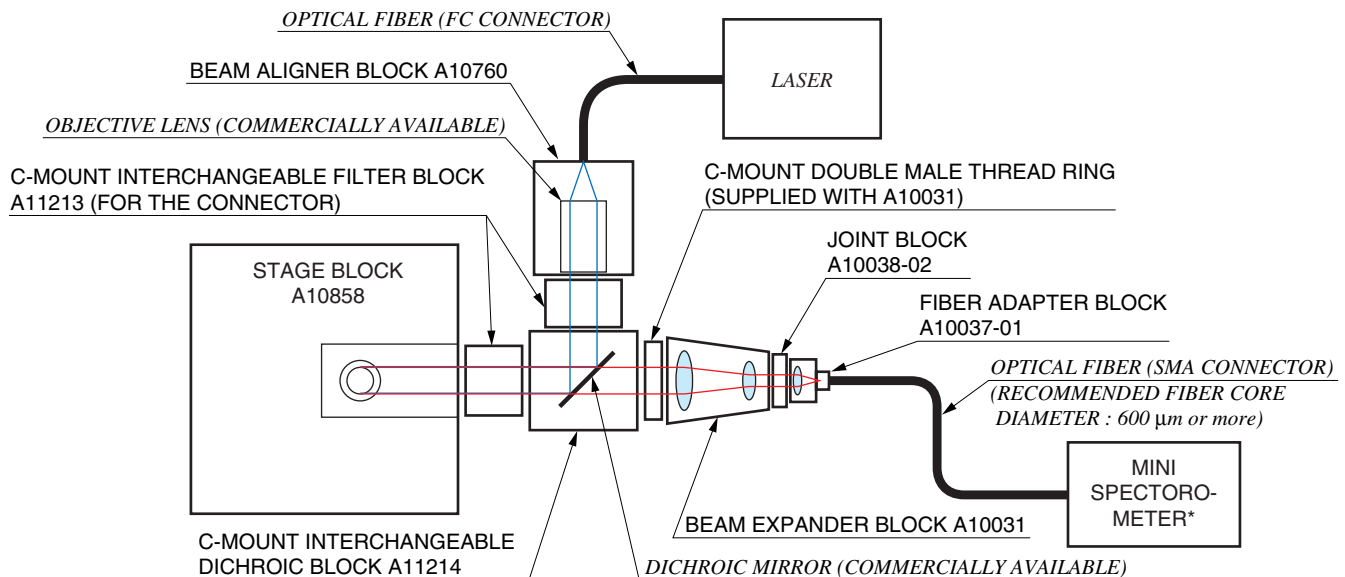
Collimated light such as chemiluminescence and bioluminescence captured by an infinity-corrected lens is reduced to 1/2.5 by using the A10031 beam expander and is guided to the PMT module with an effective diameter of 8 mm. A filter block is added when detecting light at a specific wavelength.



TPMOC0255EA

●Example of Connection to a Mini-Spectrometer

The laser beam emitted from the optical fiber is collimated by the infinity-corrected objective lens inside the A10760 beam aligner block. The dichroic mirror inside the A11214 C-mount interchangeable dichroic mirror block reflects the collimated laser, which then passes through the objective lens in the A10858 stage block and illuminates the sample. The fluorescence from the excited sample is converged by the objective lens and then passes through the dichroic mirror inside the A11214. The fluorescence is then converged further by the A10031 beam expander block. The lens inside the fiber adapter block converges the light into the optical fiber and guides it to the mini-spectrometer, where it is measured. If you want to remove the excitation light, place the A10033 filter block between the beam expander block and the A10037-01 fiber adapter block. The fiber adapter block does not have focusing capabilities, so we recommend that you connect the fiber adapter block and the mini-spectrometer with an optical fiber whose core diameter is at least 600 μm .



* There is a separate catalog for mini-spectrometers. Please refer to that catalog for more information.

TPMOC0221EA

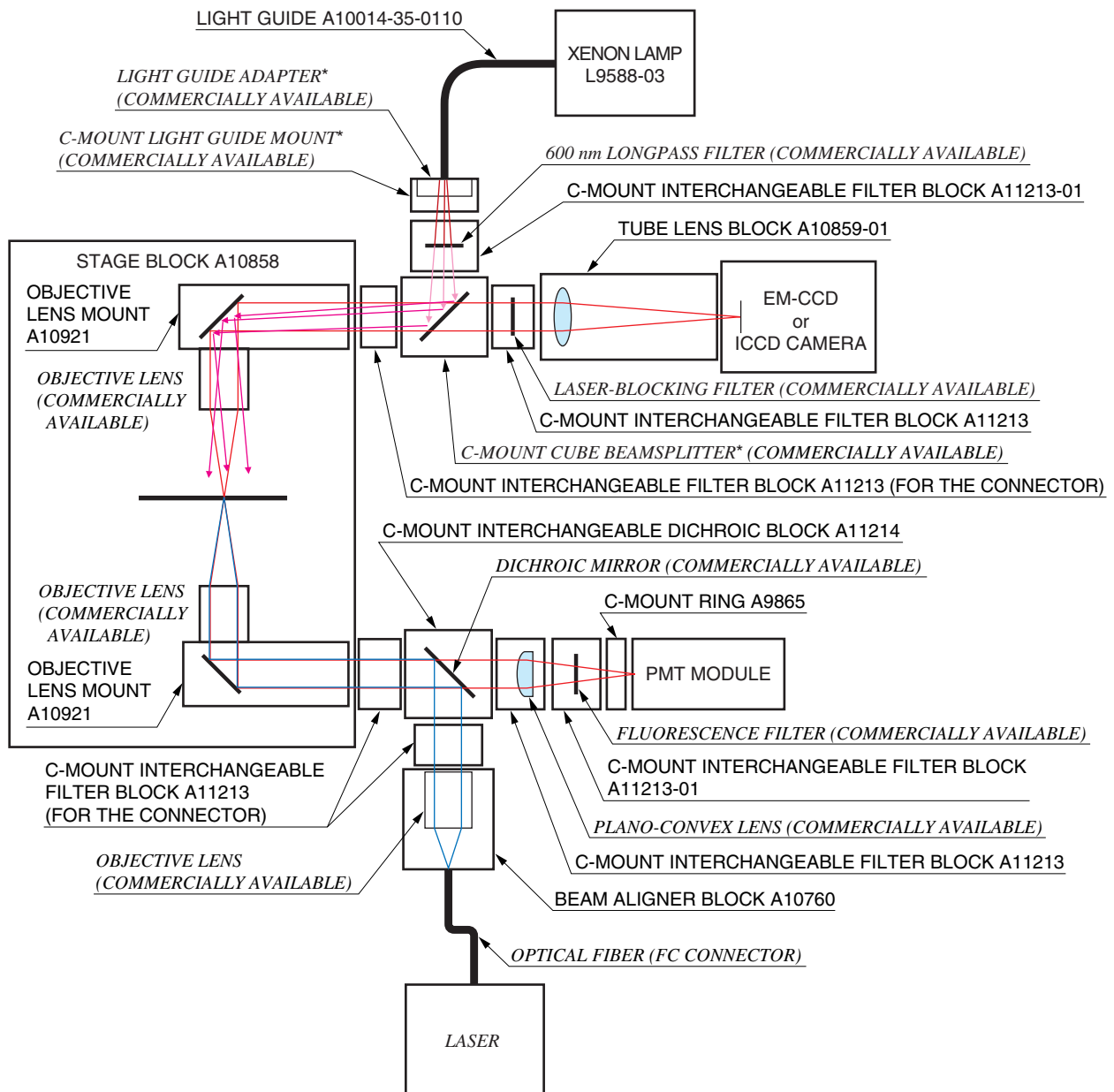
CONNECTION EXAMPLES

● Simultaneous Measurement with a PMT Module and an Imaging Camera

The following is an example of simultaneous measurement in which the two A10921 objective lens mounts are attached to the A10858 stage block. The lower (inverted) part excites the sample using laser light and measures the fluorescence of the sample using the PMT module. The upper (upright) part illuminates the observation area using a xenon arc lamp and uses an imaging camera to observe the observation area and the fluorescence signal.

A plano-convex lens and a fluorescence filter are installed in front of the PMT module to isolate the fluorescence. The plano-convex lens converges the beam of light. If this causes a problem in the fluorescence filter's wavelength shift, place the filter in front of the plano-convex lens.

So that there is no interference with the PMT module's measurement, use a wavelength for the imaging camera's illumination that is different from both the excitation wavelength and the fluorescence wavelength. For example, if you use a 488 nm laser, use a DM505 dichroic mirror for the PMT module and a 530/40 bandpass filter for the emission filter. On the imaging camera side, use a 600 nm longpass filter for illumination and put a laser-blocking filter in front of the camera.

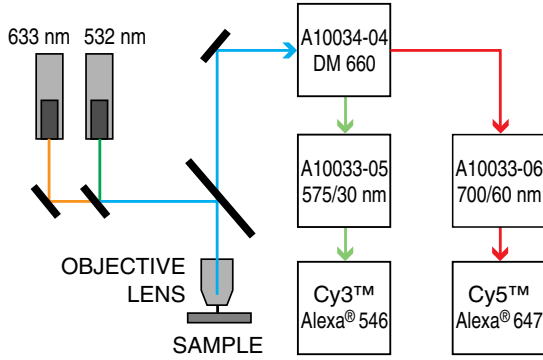


- * Example: Edmund Optics
- C-Thread Light Guide Mounting Adapter
 - Fiber Optic Light Guide Adapter
 - C-Mounted Cube Beamsplitter

NOTE: The A10858 stage block comes with one A10921 objective lens mount.
To perform simultaneous measurement as shown above, you will need to purchase an additional A10921.

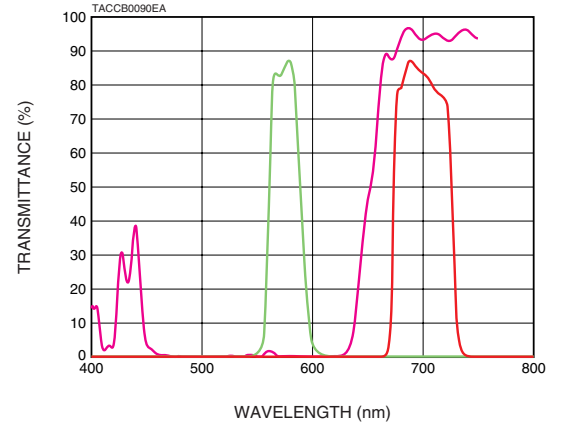
●Fluorescence Dye and Connecting Examples

①

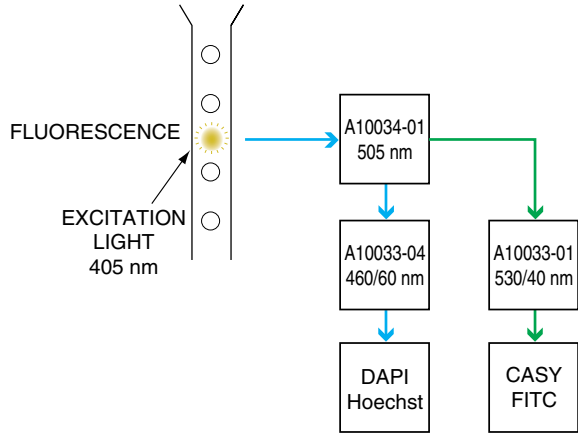


TACCC0128EA

●Transmittance

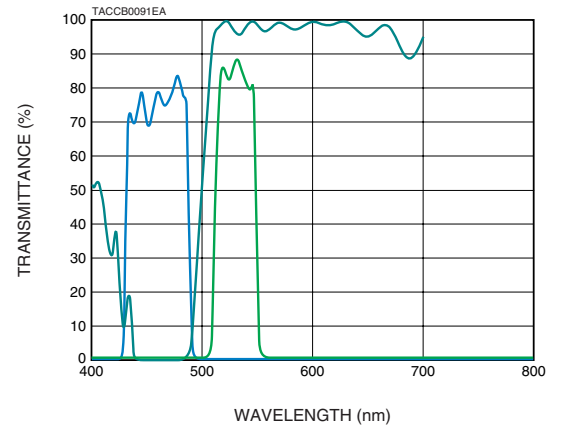


②

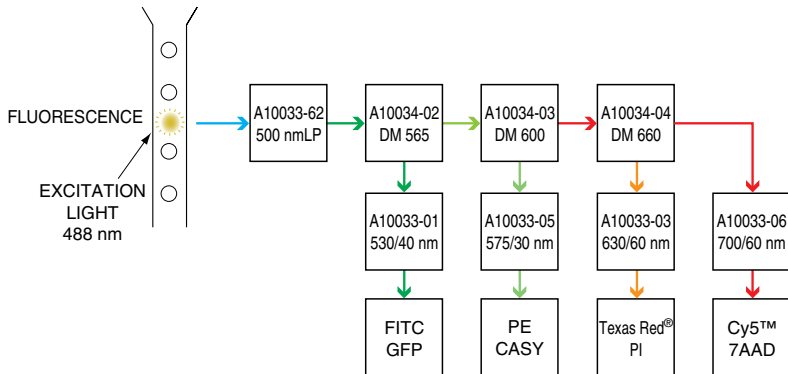


TACCC0129EA

●Transmittance

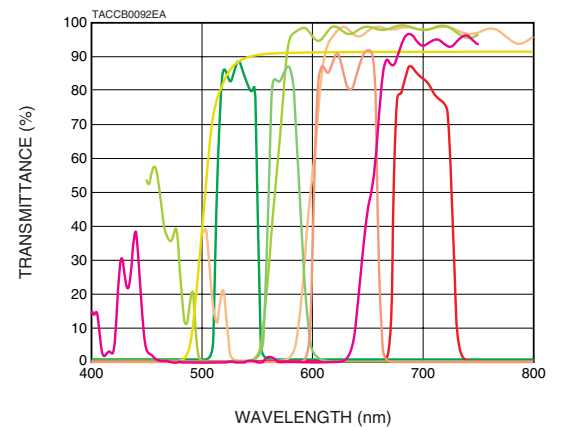


③



TACCC0130EA

●Transmittance



RELATED PRODUCTS

●Stabilized Light Sources For PMT L11494 Series



The majority of these devices are LED light sources that have been developed for visual-sensitive compensation of PMTs and PMT modules.

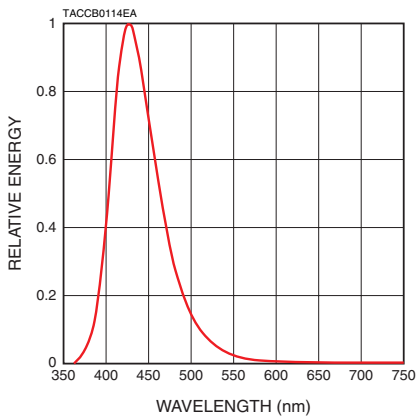
Because the amount of light generated by the LED is monitored and controlled by a photodiode, these devices always generate stable light of approximately 1 pW.

SPECIFICATIONS

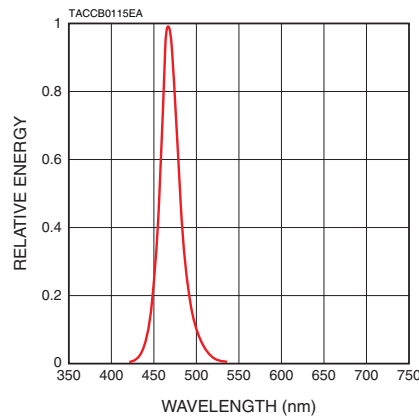
Parameter	L11494-430	L11494-470	L11494-525	L11494-660	Unit
Peak Wavelength of Generated Light	428	465	522	660	nm
FWHM	65	26	35	30	nm

Wavelength Distribution of Generated Light (Typical)

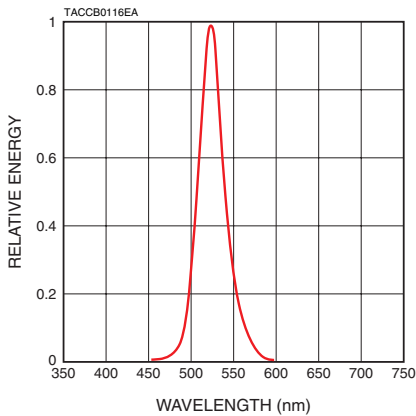
●L11494-430



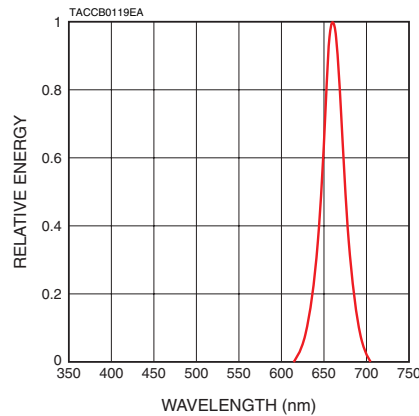
●L11494-470



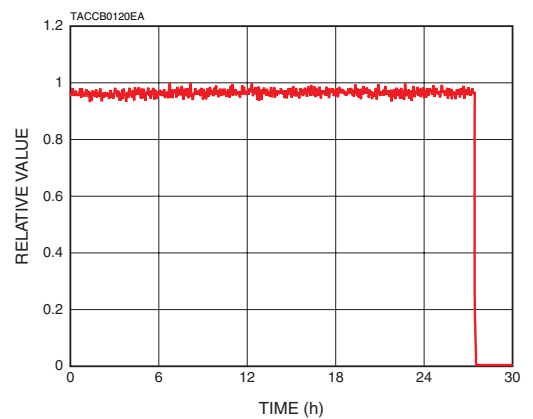
●L11494-525



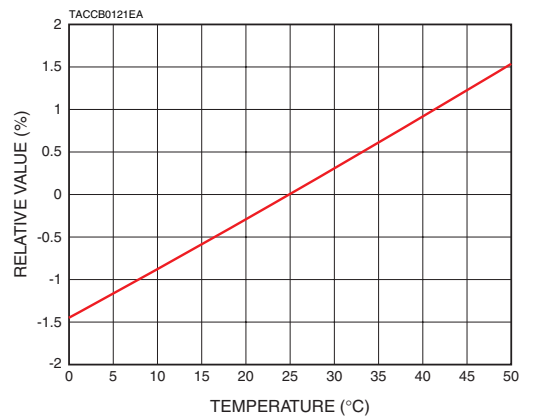
●L11494-660



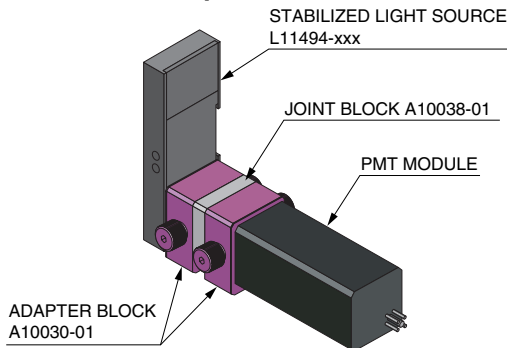
Life Characteristic



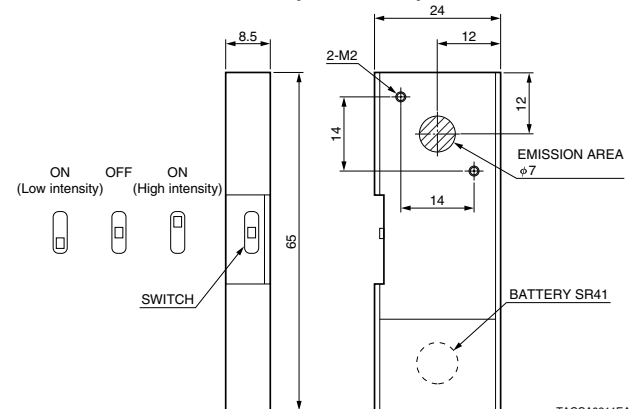
Temperature Characteristic



Connection Example



Dimensional Outlines (Unit: mm)



* There is a separate catalog for stabilized light sources. Please refer to that catalog for more information.

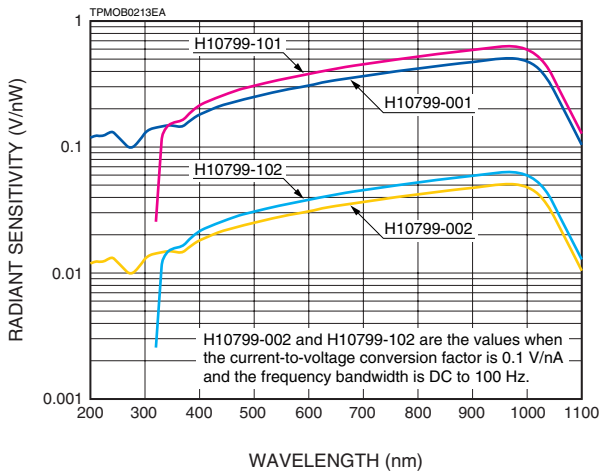
RELATED PRODUCTS

●Photosensor Modules H10799 Series



* Using example: P.6

Spectral Response



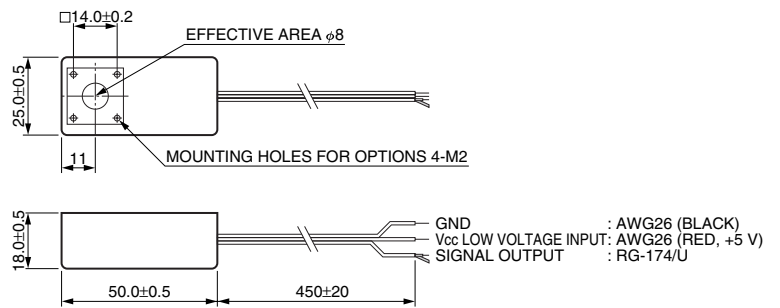
The H10799 series modules are cable output modules with S1337-1010 series photodiodes and current-to-voltage conversion amplifiers. You can connect it easily to optical blocks and use it as a photodetector.

SPECIFICATIONS

Parameter	H10799 Series			
	-001	-101	-002	-102
Spectral Response	190 nm / 320 nm to 1100 nm (See spectral response)			
Input Voltage	+5 V			
Max. Input Voltage	+5.5 V			
Max. Output Signal Voltage	+4.5 V			
Current-to-voltage Conversion Factor / Frequency Bandwidth	1 V/nA / DC to 10 Hz		0.1 V/nA / DC to 100 Hz 0.01 V/nA / DC to 1 kHz (Switchable)	
Effective Area	φ8 mm			
Operating Ambient Temperature*	+5 °C to +50 °C			
Storage Temperature*	-20 °C to +50 °C			
Internal photodiodes	S1337-1010BQ	S1337-1010BR	S1337-1010BQ	S1337-1010BR

* No condensation

Dimensional Outlines (Unit: mm)



TPMOA0048EA

●ICCD Camera Units C10054 Series



* Using example: P.21, P22, P24

C10054 series cameras boast high speed and high sensitivity thanks to their built-in image intensifiers and high-speed electronic shutters (min. 5 ns).

SPECIFICATIONS

Type No.	Spectral Response (nm)	Minimum Photocathode Illuminance (lx)	Limiting Resolution (TV Lines)
C10054-x1	280 to 720	1×10^{-6}	470
C10054-x2		4×10^{-7}	450
C10054-x3	185 to 900	4×10^{-5}	480
C10054-x4		4×10^{-7}	420
C10054-x5	370 to 920	1×10^{-6}	470
C10054-x6		4×10^{-7}	450

* Image intensifier: an imaging device with high light-intensification capabilities and high-speed gate operation (shutter operation).

* There are separate catalogs for image intensifiers and ICCD cameras. Please refer to those catalogs for more information.

Subject to local technical requirements and regulations, availability of products included in this promotional material may vary. Please consult with our sales office.
Information furnished by HAMAMATSU is believed to be reliable. However, no responsibility is assumed for possible inaccuracies or omissions. Specifications are subject to change without notice. No patent rights are granted to any of the circuits described herein. ©2014 Hamamatsu Photonics K.K.

HAMAMATSU PHOTONICS K.K. www.hamamatsu.com

HAMAMATSU PHOTONICS K.K., Electron Tube Division

314-5, Shimokanzo, Iwata City, Shizuoka Pref., 438-0193, Japan, Telephone: (81)539/62-5248, Fax: (81)539/62-2205

U.S.A.: Hamamatsu Corporation: 360 Foothill Road, Bridgewater, N.J. 08807-0910, U.S.A., Telephone: (1)908-231-0960, Fax: (1)908-231-1218 E-mail: usa@hamamatsu.com

Germany: Hamamatsu Photonics Deutschland GmbH: Arzbergerstr. 10, D-82211 Herrsching am Ammersee, Germany, Telephone: (49)8152-375-0, Fax: (49)8152-2658 E-mail: info@hamamatsu.de

France: Hamamatsu Photonics France S.A.R.L.: 19, Rue du Saule Trapu, Parc du Moulin de Massy, 91882 Massy Cedex, France, Telephone: (33)1 69 53 71 00, Fax: (33)1 69 53 71 10 E-mail: infos@hamamatsu.fr

United Kingdom: Hamamatsu Photonics UK Limited: 2 Howard Court, 10 Tewin Road, Welwyn Garden City, Hertfordshire AL7 1BW, United Kingdom, Telephone: (44)1707-294888, Fax: (44)1707-325777 E-mail: info@hamamatsu.co.uk

North Europe: Hamamatsu Photonics Norden AB: Torshamnsgatan 35 SE-164 40 Kista, Sweden, Telephone: (46)8-509-031-00, Fax: (46)8-509-031-01 E-mail: info@hamamatsu.se

Italy: Hamamatsu Photonics Italia S.r.l.: Strada della Moia, 1 int. 6, 20020 Arese (Milano), Italy, Telephone: (39)02-93581733, Fax: (39)02-93581741 E-mail: info@hamamatsu.it

China: Hamamatsu Photonics (China) Co., Ltd.: B1201 Jiaming Center, No.27 Dongsanhuan Beilu, Chaoyang District, Beijing 100020, China, Telephone: (86)10-6586-6006, Fax: (86)10-6586-2866 E-mail: hpc@hamamatsu.com.cn

TPMO1058E01
FEB. 2014 IP