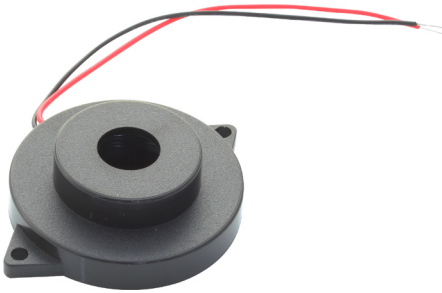


Piezo Buzzer

**RoHS
Compliant**



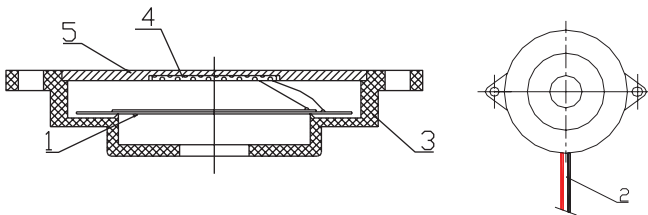
Features

- Three 9V buzzers, 40mm diameter.
- Very loud at 110dB.
- Suitable for panel alarms, access and security applications.
- Feedback option can be run using either DC or AC voltage, if using a square wave, the feedback pin or lead does not need to be connected.
- ABS777D (black) Housing material.
- Wave solder & wash not allowed.

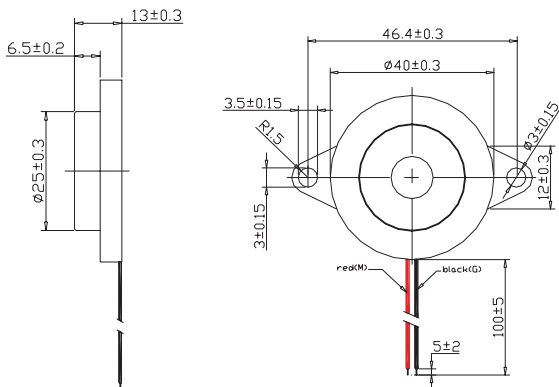
Specifications

Rated Voltage	: 9Vp-p
Operating Voltage	: 1Vp-p to 40Vp-p
Sound output at 3200Hz at 10cm	: ≥110dB (typical 115dB)
Resonant Frequency	: 3200Hz ±500Hz
Operating Temperature	: -30°C to +70°C
Storage Temperature	: -40°C to +85°C
Weight	: 5g
Tone	: Single

Diagram



No.	Part Name	Material	Qty.
1	Piezo Element	Brass	1
2	Lead Wire	UL 1095 AWG28 (Red & Black)	2
3	Housing	Black ABS777D	1
4	PCB	Epoxy Board	
5	Cover	Black ABS777D	



Dimensions : Millimetres
Tolerance: ±0.2mm

Part Number Table

Description	Part Number
Piezo Buzzer with leads, 9Vp-p, 110dB	MP000294

Important Notice : This data sheet and its contents (the "Information") belong to the members of the AVNET group of companies (the "Group") or are licensed to it. No licence is granted for the use of it other than for information purposes in connection with the products to which it relates. No licence of any intellectual property rights is granted. The Information is subject to change without notice and replaces all data sheets previously supplied. The Information supplied is believed to be accurate but the Group assumes no responsibility for its accuracy or completeness, any error in or omission from it or for any use made of it. Users of this data sheet should check for themselves the Information and the suitability of the products for their purpose and not make any assumptions based on information included or omitted. Liability for loss or damage resulting from any reliance on the Information or use of it (including liability resulting from negligence or where the Group was aware of the possibility of such loss or damage arising) is excluded. This will not operate to limit or restrict the Group's liability for death or personal injury resulting from its negligence. Multicomp Pro is the registered trademark of Premier Farnell Limited 2019.