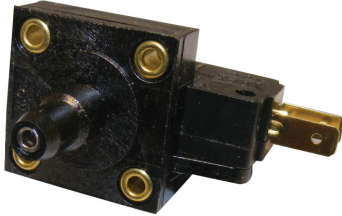


Pressure Switches

Vacuum - High Current

multicomp^{PRO}

RoHS
Compliant



Description

The versatile high-current PSF109S vacuum switch offers a controllable hysteresis (deadband); a wide-range field adjustable set point; snap action; and choice of standard vacuum port design options. For custom applications, our in-house design and engineering team provide rapid prototyping and manufacturing turnaround

Features

- Controllable hysteresis (deadband)
- Field adjustable vacuum set point, from -3 inches H₂O to -12 psi (-2 inches H₂O available as fixed as point)
- Snap action basic switch, up to 25A*, 125 / 250V AC
- 0.25 inches diameter; 1/8 inches NPT; or 1/4 inches quick connect fitting port
- Custom design and engineering available
- Small size, lightweight, low relative cost
- Dependable long life (10+ million cycles)

* Not available on all ranges

Specifications

Mechanical

- Standard Tolerance : ±20% (tighter tolerances available)
Switch Type : SPDT normally open or normally closed
Switching Medium : Air, compatible fluids
Mechanical Life : More than 10 million cycles
Operating Temperature : +40°F to +150°F (standard), -46°F to +205°F (contact us)

Physical

- Case Material : Polycarbonate
Vacuum Port Options : 0.25 inches diameter, 1/8 inches NPT, quick connect fitting port
Diaphragm Material : Polyurethane (PTFE optional)
Contact Points : Silver (gold available on special order)
Electrical Connections : Terminals - 0.187 inches × 0.02 inches tab-type, for use with quick disconnects (reference AMP 2-520182-2 or equivalent)
Mounting : #2 screws through eyelets; mounting bracket available
Weight : Less than 20g

Electrical

- Operating Voltage : 125 / 250 V AC

Specification Table

Part Number	Inches Hg	Inches H ₂ O	mbar	psi	Port Style (Inches)	Electrical 125 / 250 V AC
PSF109S-3-8	0.2205 to 0.5878	3 to 8	8 to 20	0.1 to 0.3	1/8 NPT	3A
PSF109S-9-80	0.6613 to 5.878	9 to 80	21 to 199	0.3 to 2.9	0.25 Diameter	10A
PSF109S-81-330	5.951 to 24.25	81 to 300	200 to 822	2.9 to 11.9		15A

Newark.com/multicomp-pro
Farnell.com/multicomp-pro
Element14.com/multicomp-pro

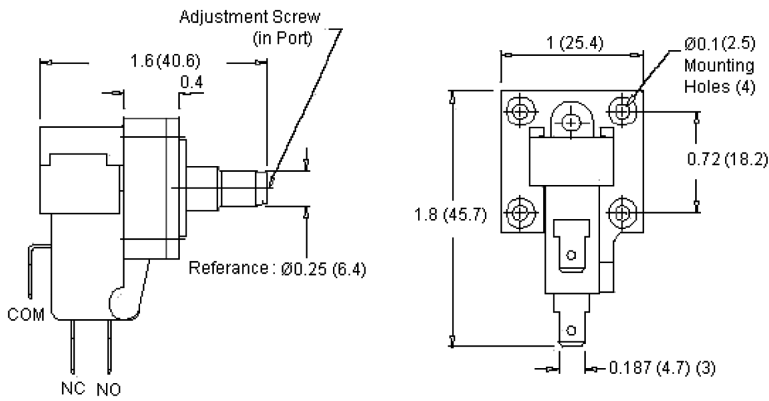
multicomp^{PRO}

Pressure Switches

Vacuum - High Current

multicomp PRO

Diagram



Dimensions : Millimetres

Part Number Table

Description	Part Number
Pressure Switch, Vacuum, 0.1 to 0.3 psi	PSF109S-3-8
Pressure Switch, Vacuum, 0.3 to 2.9 psi	PSF109S-9-80
Pressure Switch, Vacuum, 2.9 to 11.9 psi	PSF109S-81-330

Important Notice : This data sheet and its contents (the "Information") belong to the members of the AVNET group of companies (the "Group") or are licensed to it. No licence is granted for the use of it other than for information purposes in connection with the products to which it relates. No licence of any intellectual property rights is granted. The Information is subject to change without notice and replaces all data sheets previously supplied. The Information supplied is believed to be accurate but the Group assumes no responsibility for its accuracy or completeness, any error in or omission from it or for any use made of it. Users of this data sheet should check for themselves the Information and the suitability of the products for their purpose and not make any assumptions based on information included or omitted. Liability for loss or damage resulting from any reliance on the Information or use of it (including liability resulting from negligence or where the Group was aware of the possibility of such loss or damage arising) is excluded. This will not operate to limit or restrict the Group's liability for death or personal injury resulting from its negligence. Multicomp Pro is the registered trademark of Premier Farnell Limited 2019.

Newark.com/multicomp-pro
 Farnell.com/multicomp-pro
 Element14.com/multicomp-pro

multicomp PRO